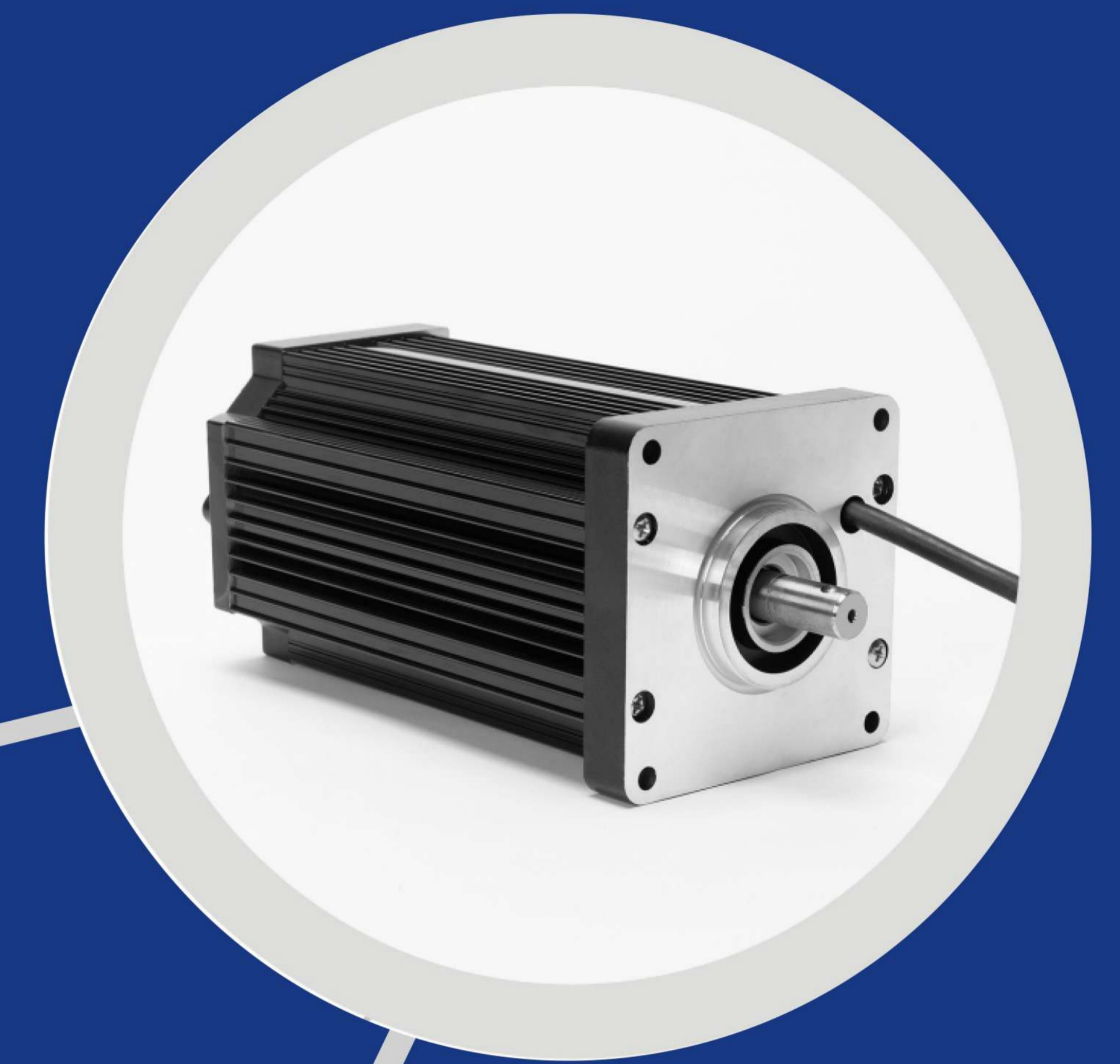
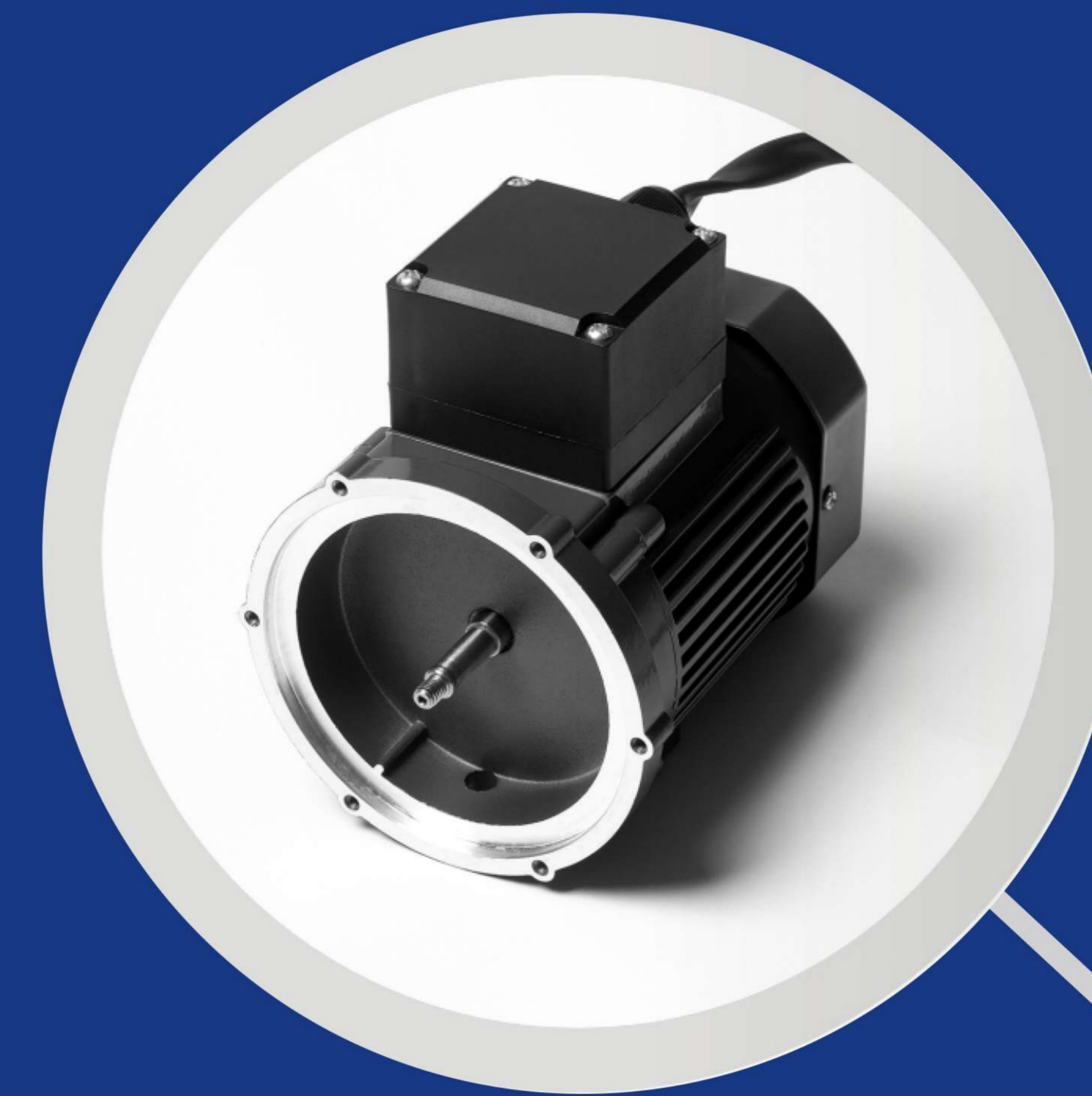


# TorqueBank



## Servo Motor Selection Guide for Automation



TORQUEBANK TECHNOLOGY CO.,LTD

Dongzhou Industrial Function Zone, Fuyang District, Hangzhou, China  
info@torquebank.com

www.torquebank.com

TORQUEBANK TECHNOLOGY CO.,LTD

# CONTENT

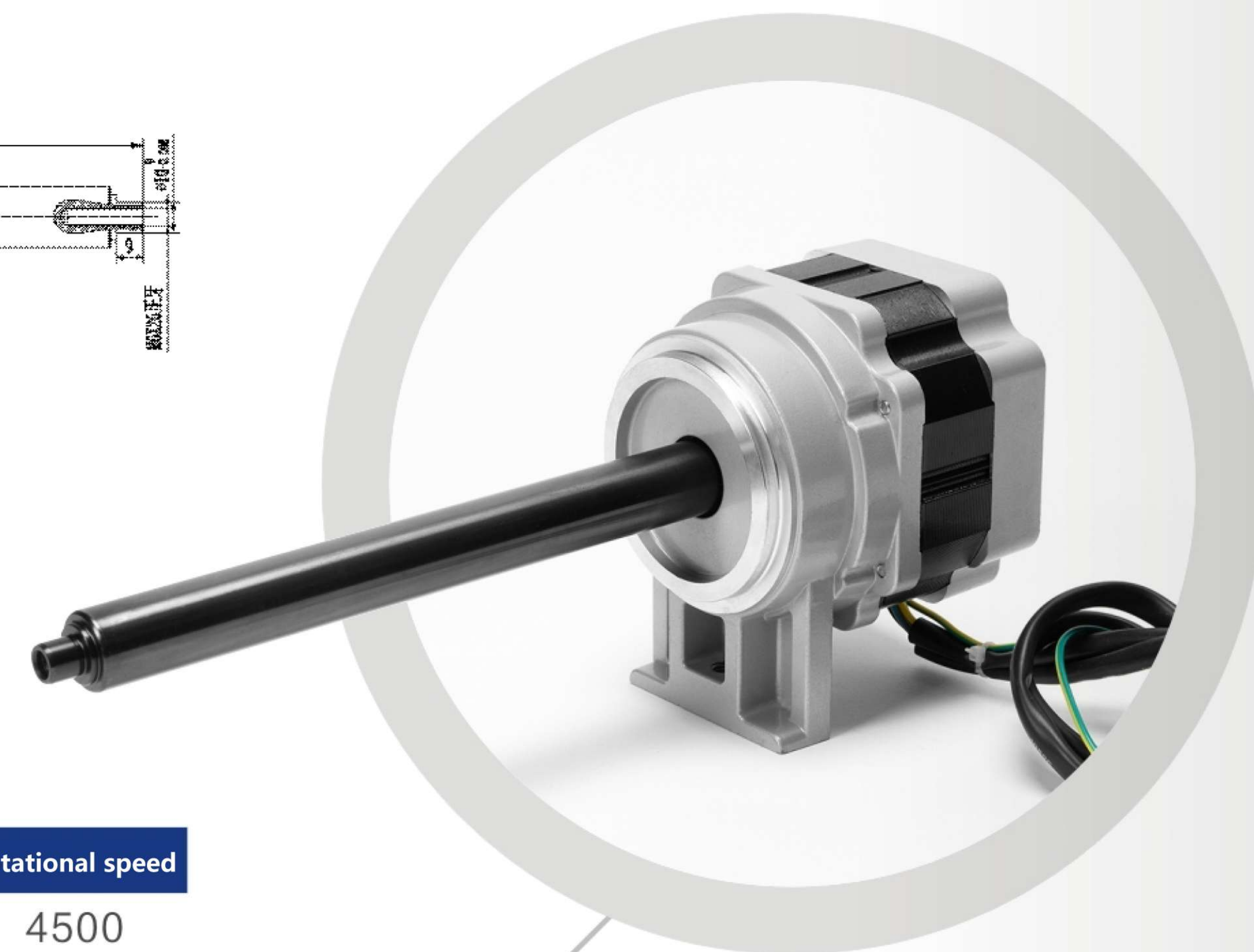
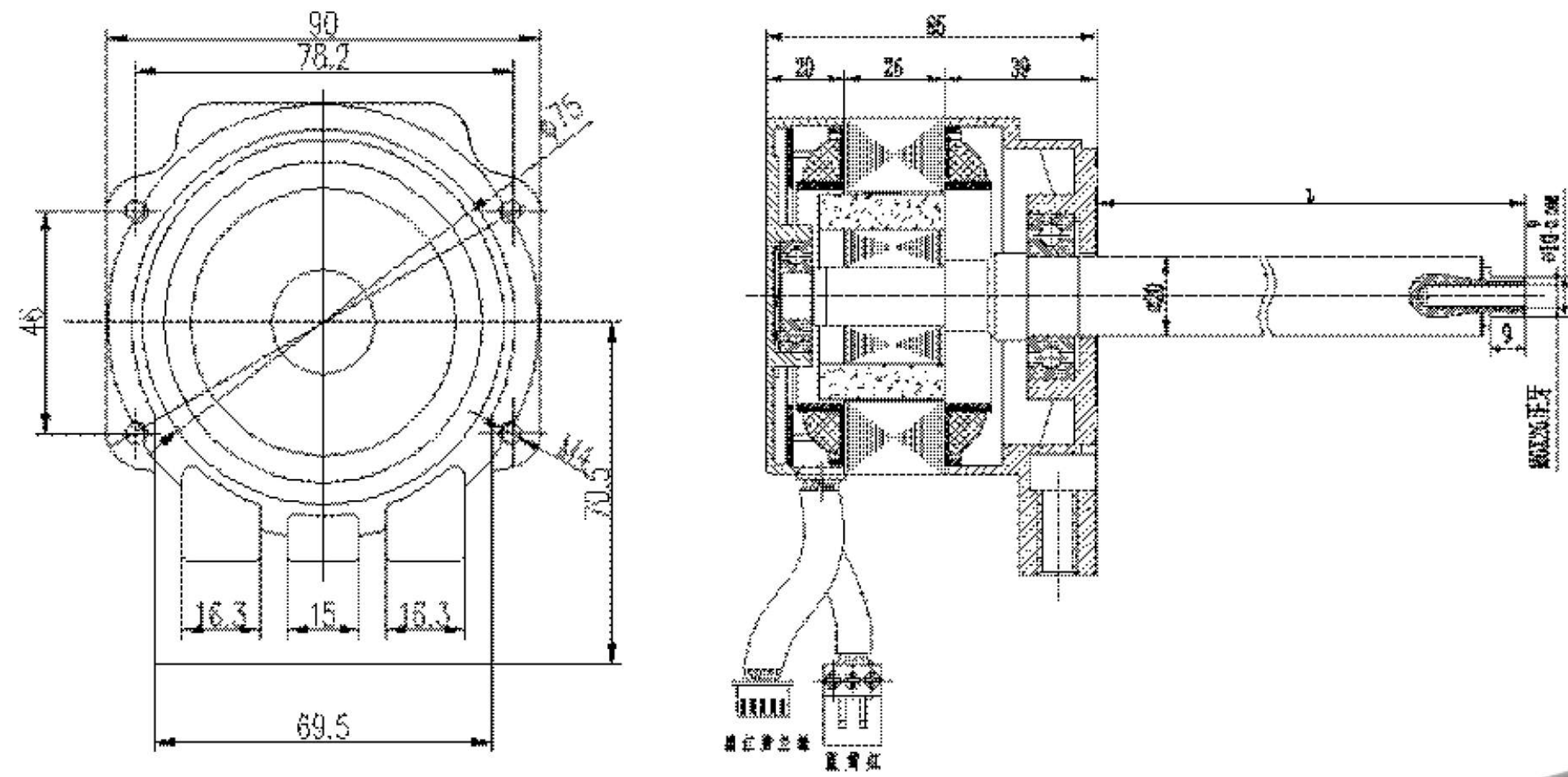
## Application Area

03	Application Area
04	Dc Winding Motor
04	Brushless Dc Motor
05	Ac Motor For Textile Machine
05	Motor For Mask Ear Strap Machine
06	Dehumidifier Fan Motor
09	Explosion-proof Motor
10	Chain Saw Sharpener Motor
11	Motor For Industrial Gate
12	Gate Opener Motor
13	Water Pump Motor
14	Vacuum Cleaner Motor
15	Blower Motor
16	Freezing Dryer Motor



## DC Winding Motor

Dimension: Unit=mm

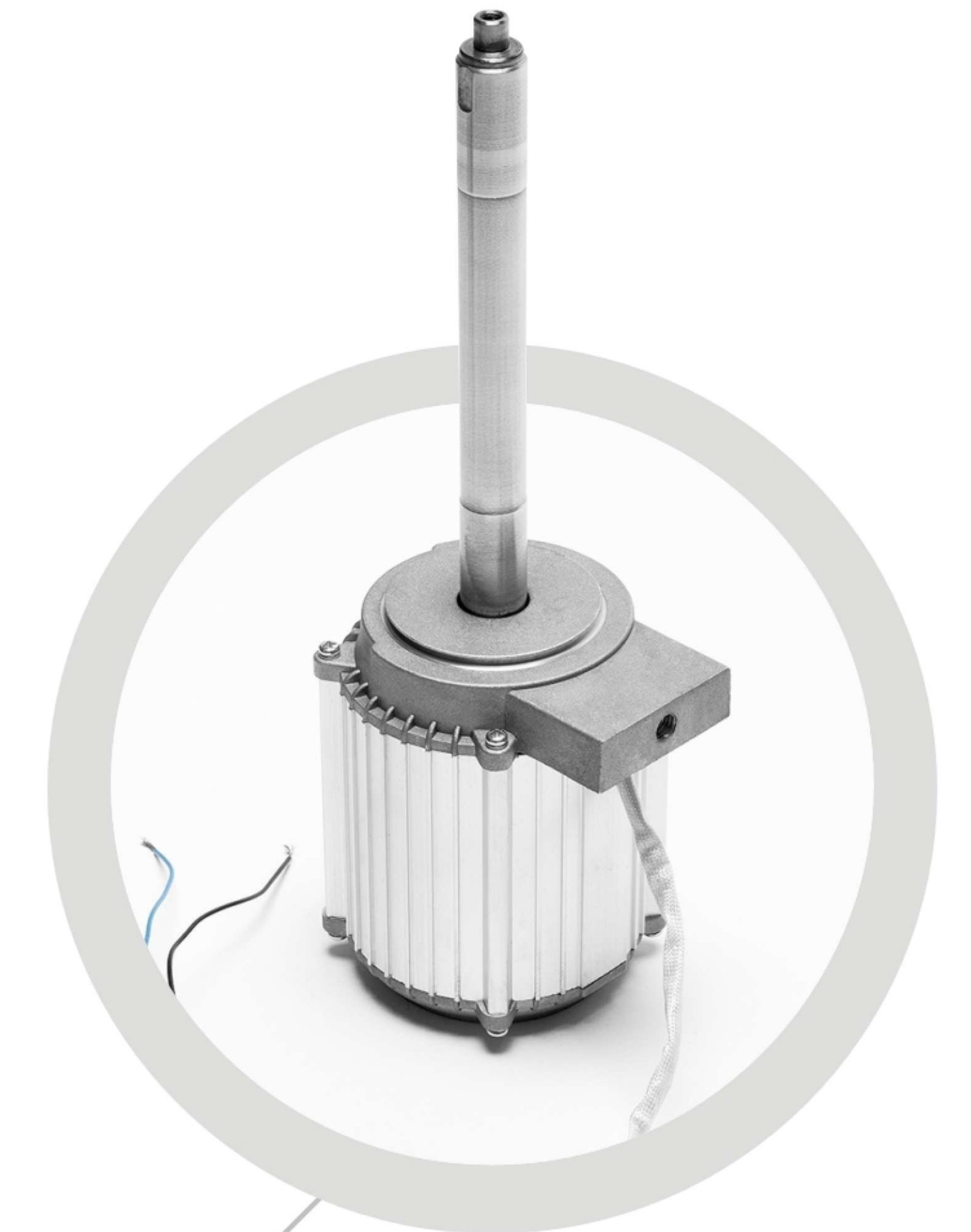
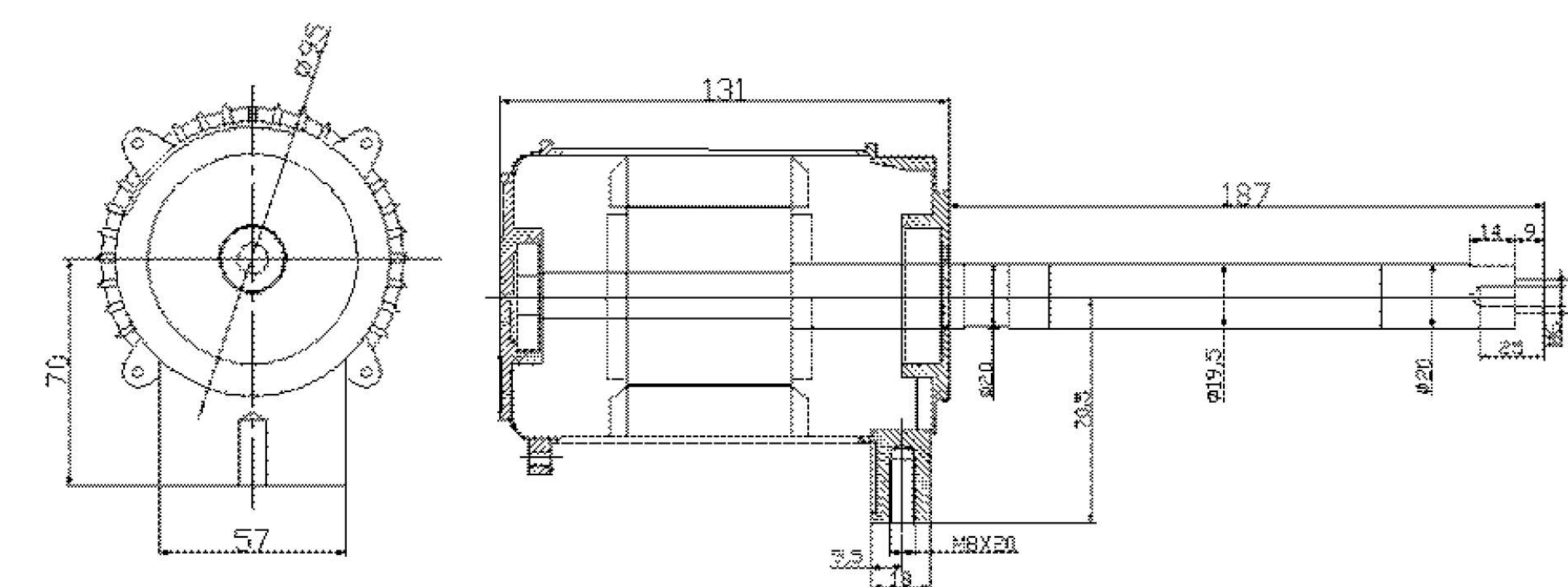


Specifications

Model	Voltage	Power	Electric current	Rotational speed
DC96-1	220V	90W	0.35A	4500
DC96-1	220V	120W	0.35A	4500

## AC Motor for Textile Machine

Dimension: Unit=mm

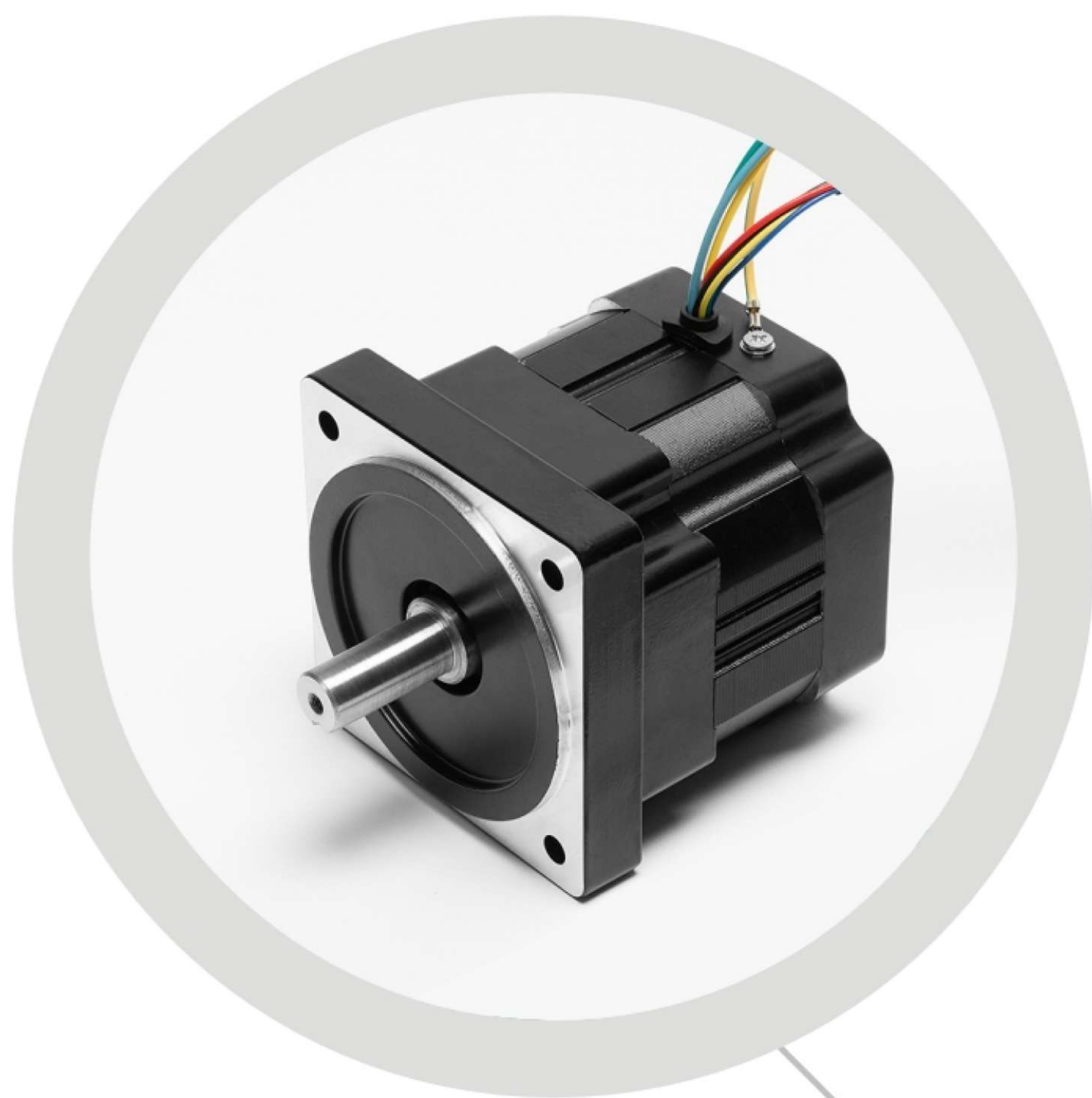
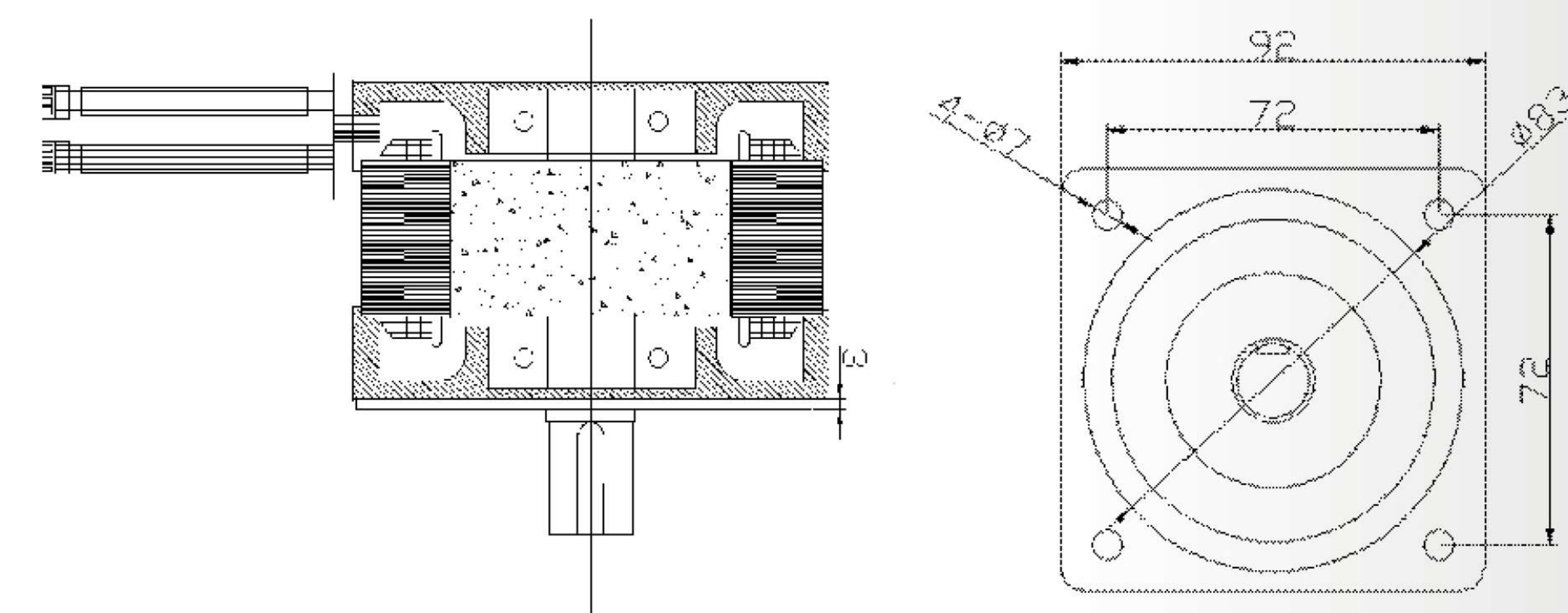


Specifications

Model	Voltage	Power	Frequency	Electric current	Extreme value	Rotational speed
AC96	220V(3P)	90W	50HZ	0.23A	2	2900
AC96	220V(3P)	120W	50HZ	0.23A	2	2900

## Brushless DC Motor

Dimension: Unit=mm

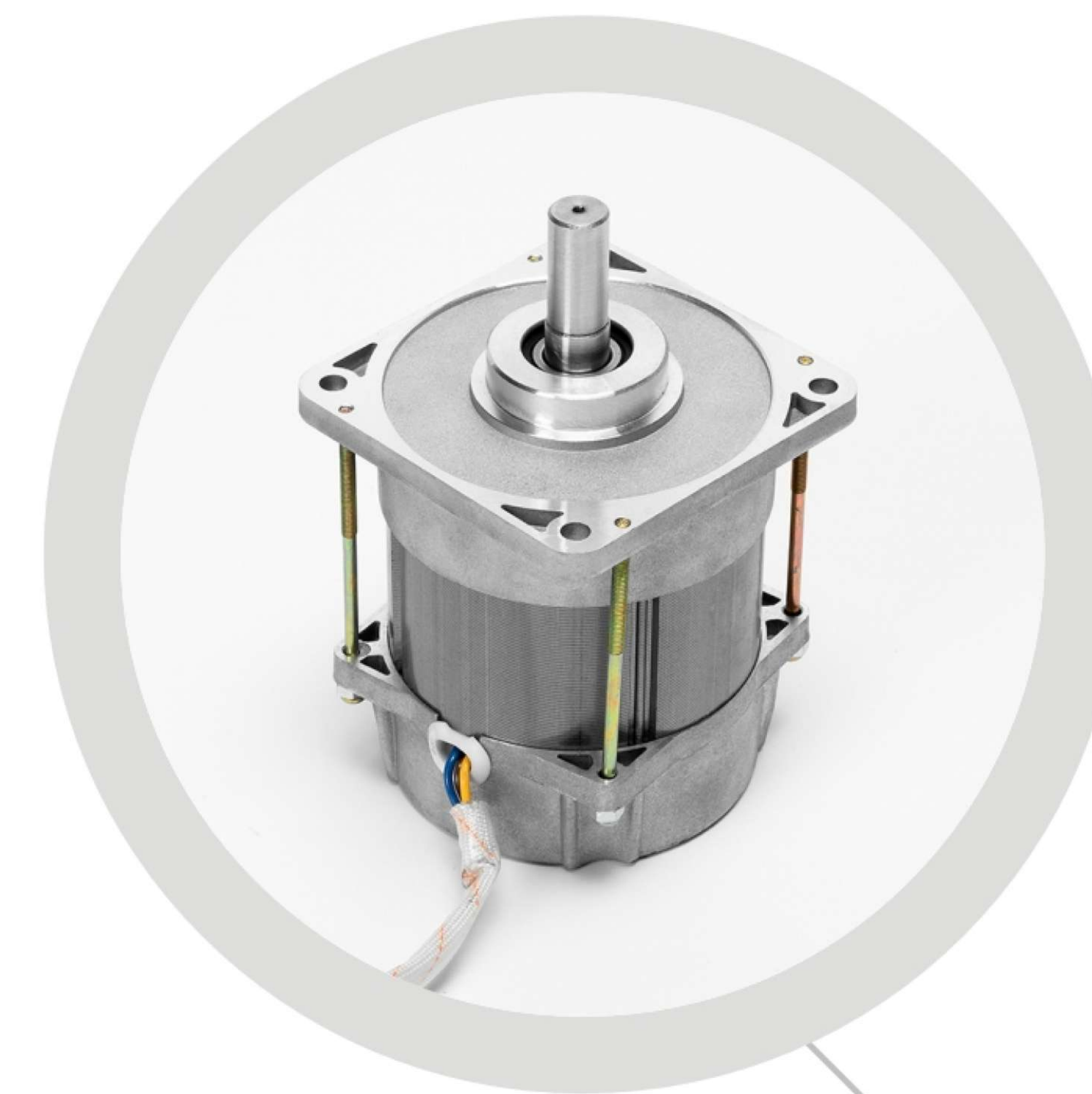
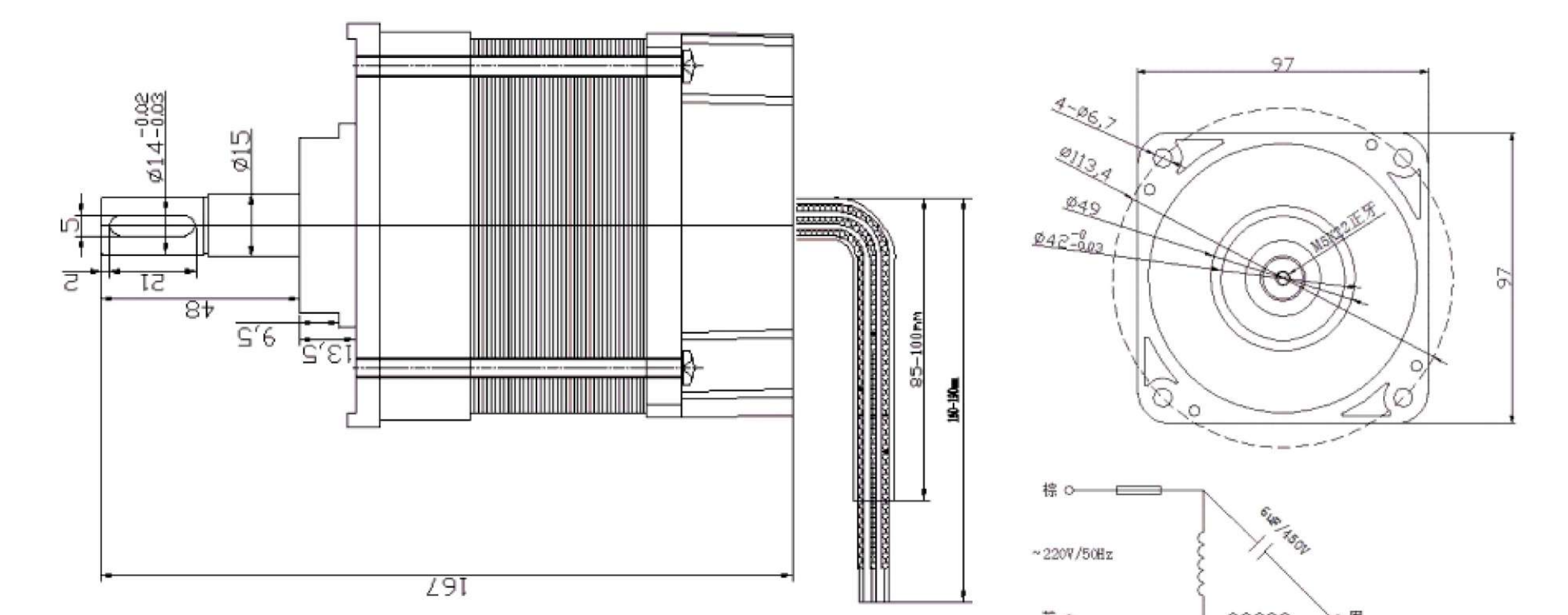


Specifications

Model	Voltage	Power	Electric current	Rotational speed
DC96-2	220V	90W	0.35A	4500
DC96-2	220V	120W	0.35A	4500

## Motor for Mask Ear Strap Machine

Dimension: Unit=mm

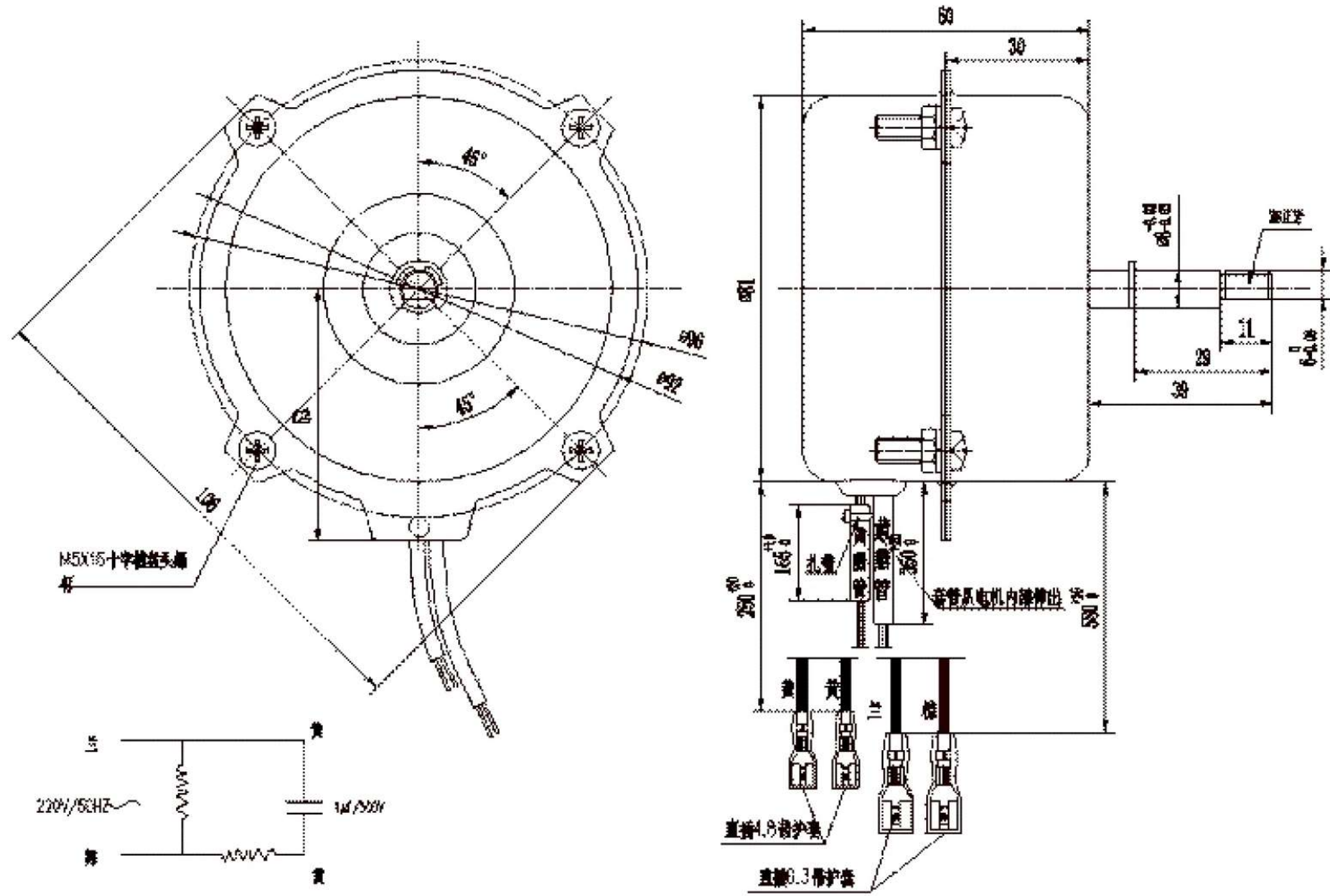


Specifications

Model	Voltage	Power	Frequency	Electric current	Extreme value	Rotational speed
90-48	220V	90W	50HZ	0.3A	2	850

## Dehumidifier Fan Motor

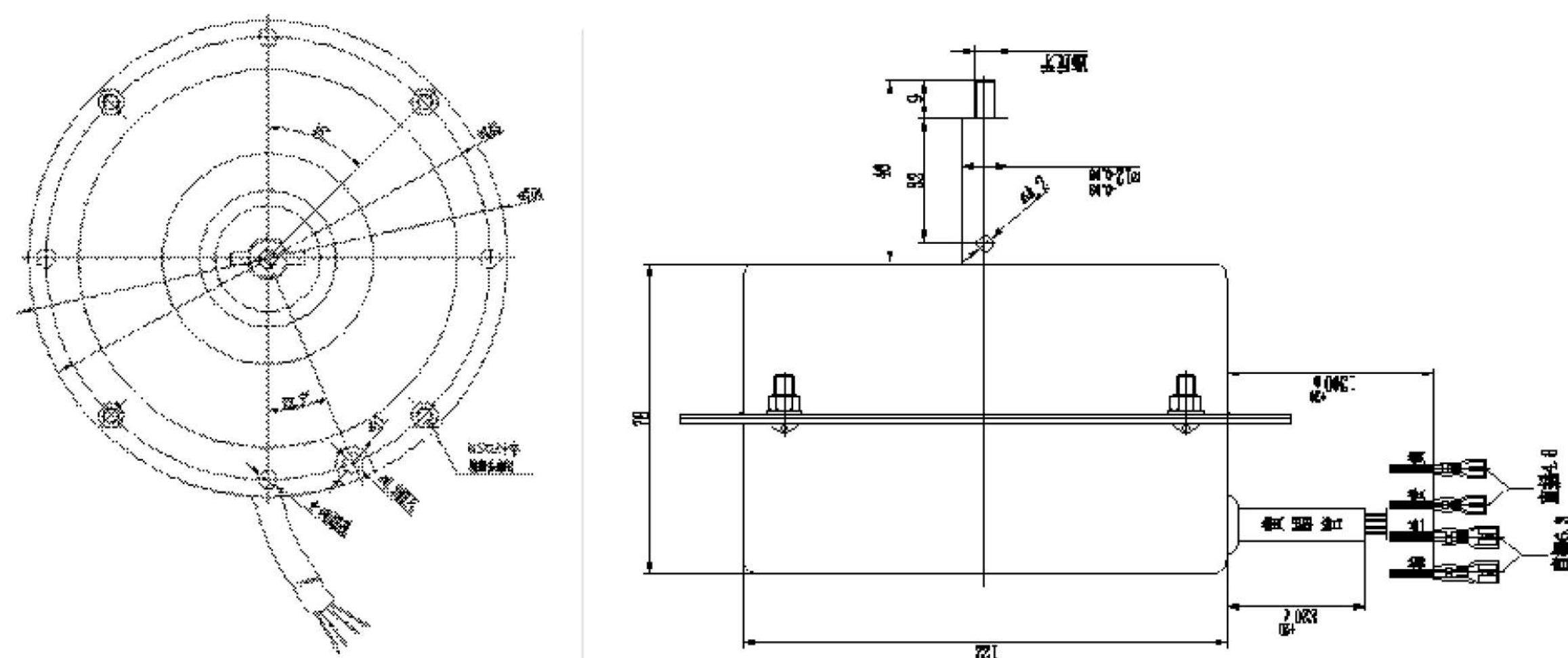
Dimension: Unit=mm



Specifications

Model	Voltage	Power	Frequency	Electric current	Extreme value	Rotational speed
YY-10	220V	10W	50HZ	0.17A	4	1450
YY-10	110V	10W	60HZ	0.26A	4	1450

Dimension: Unit=mm

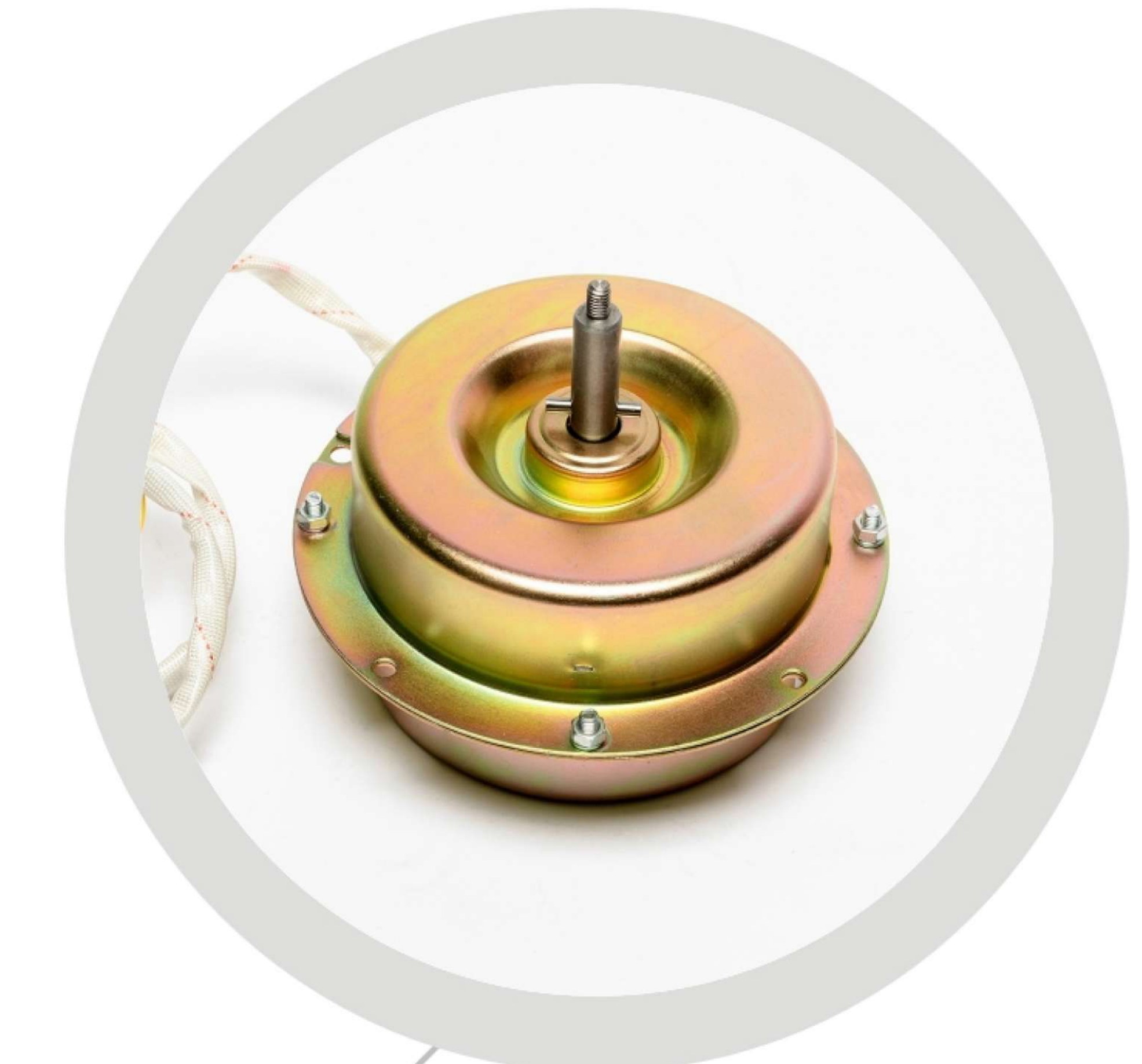
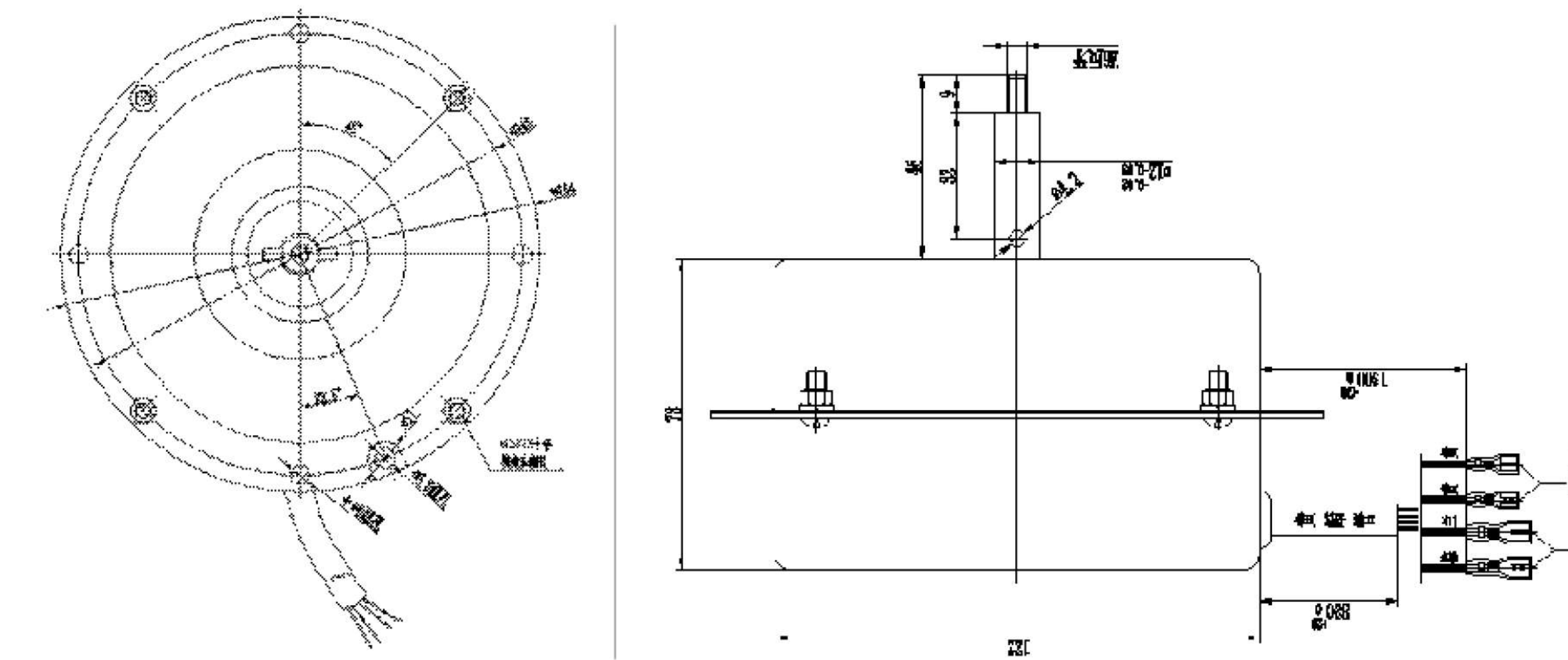


Specifications

Model	Voltage	Power	Frequency	Electric current	Extreme value	Rotational speed
YY-13	220V	50W	50HZ	0.27A	4	1450
YY-13	220V	50W	60HZ	0.27A	4	1450
YY-13	110V	50W	50HZ	0.8A	4	1450
YY-22	220V	90W	50HZ	0.8A	4	1450
YY-22	220V	90W	60HZ	0.8A	4	1450
YY-22	110V	90W	60HZ	0.8A	4	1450

## Dehumidifier Fan Motor

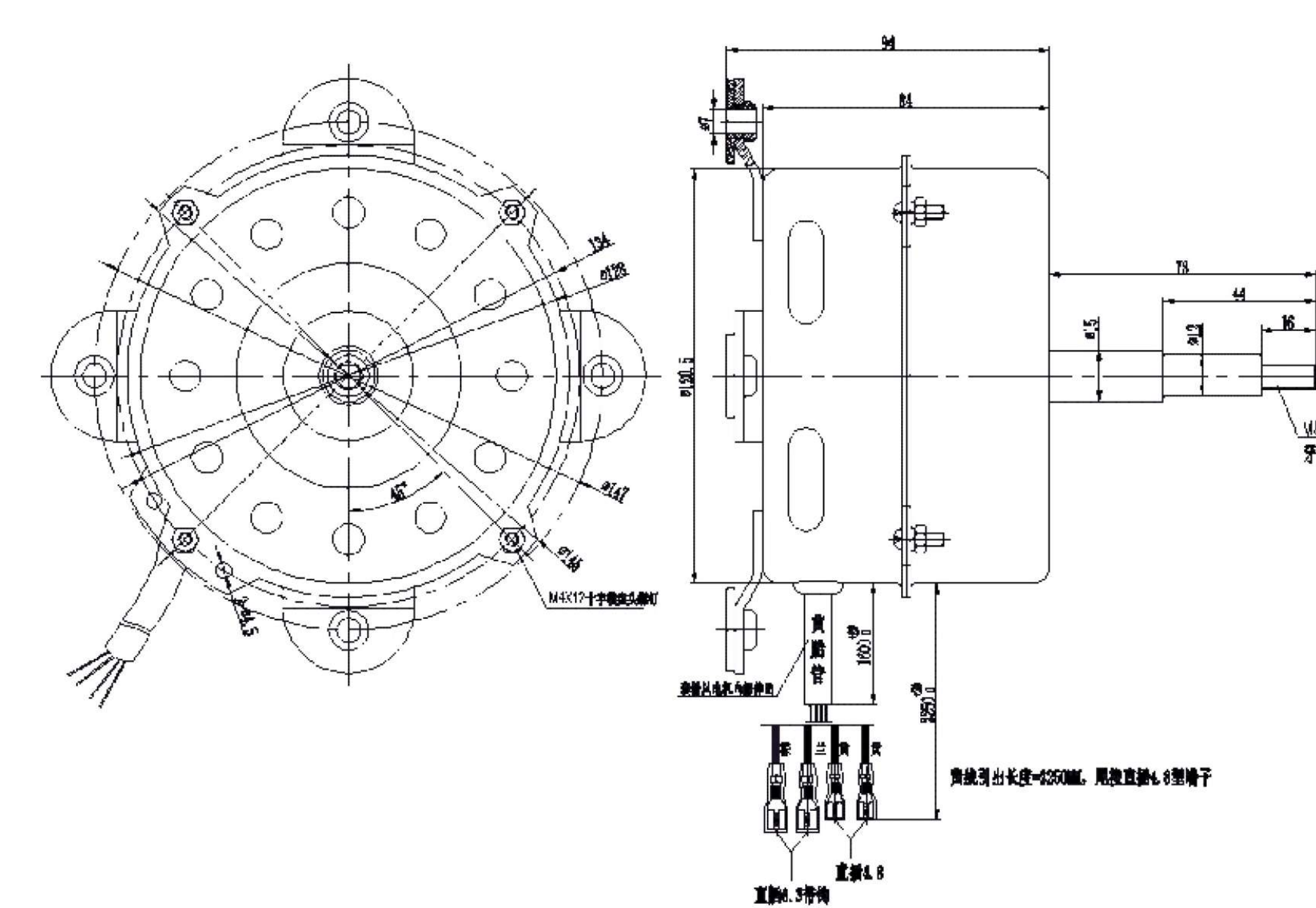
Dimension: Unit=mm



Specifications

Model	Voltage	Power	Frequency	Electric current	Extreme value	Rotational speed
YY-16	220V	50W	50HZ	0.28A	6	750
YY-16	220V	50W	60HZ	0.28A	6	750
YY-16	110V	50W	60HZ	0.28A	6	750

Dimension: Unit=mm

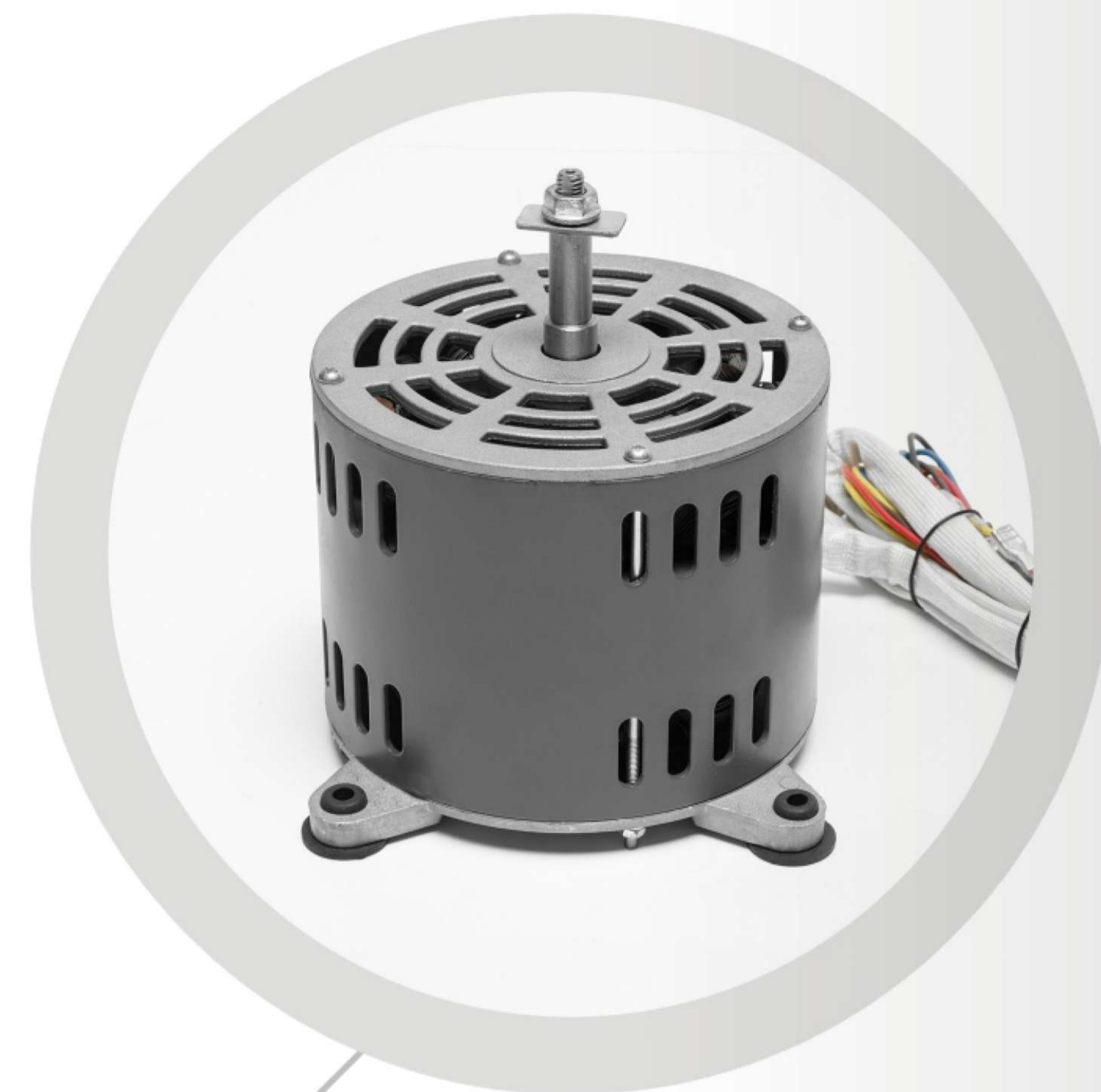
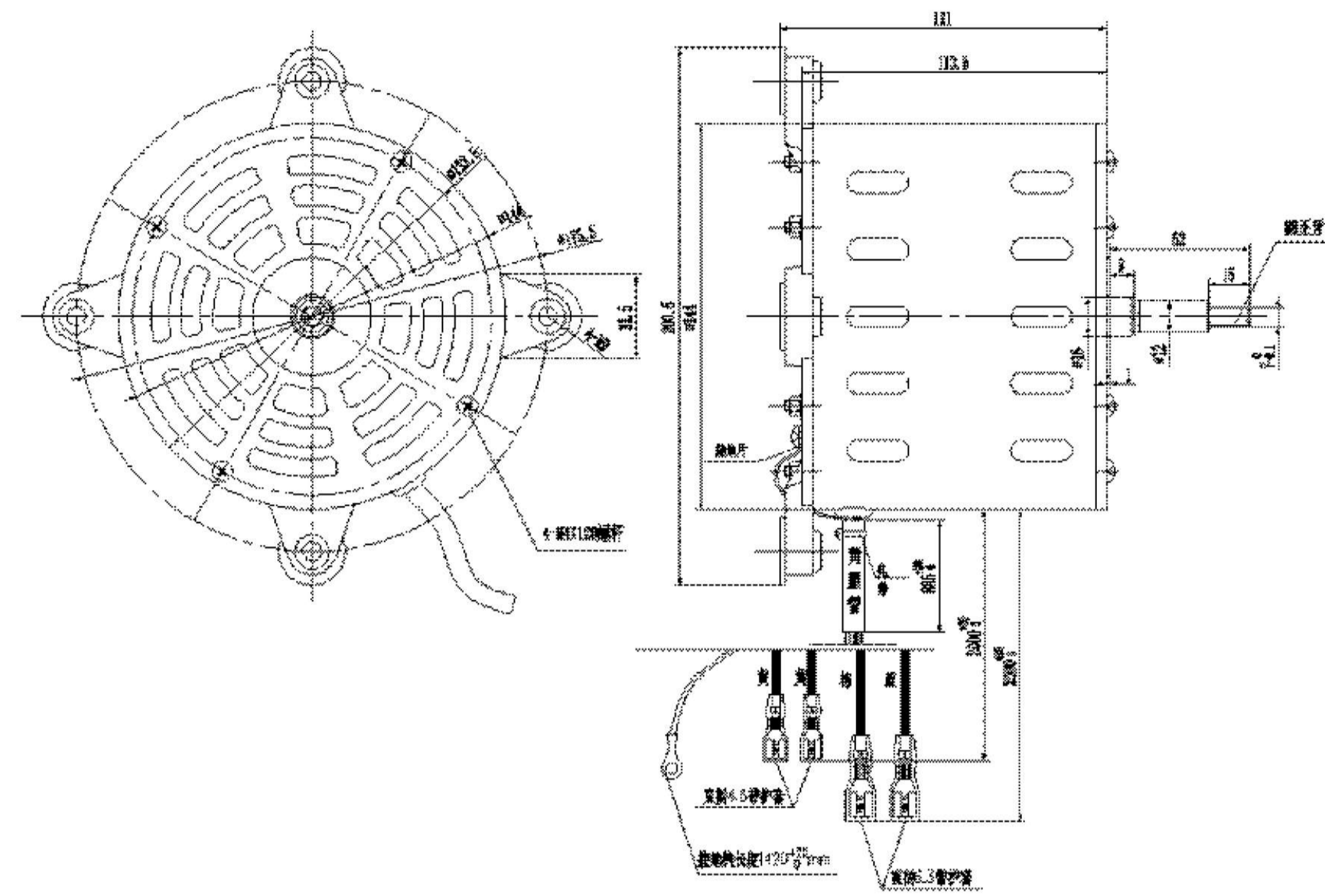


Specifications

Model	Voltage	Power	Frequency	Electric current	Extreme value	Rotational speed
YY-30	220V	100W	50HZ	0.8A	6	800
YY-30	220V	100W	60HZ	0.8A	6	800

## YY-140-40 Dehumidifier Fan Motor

Dimension: Unit=mm

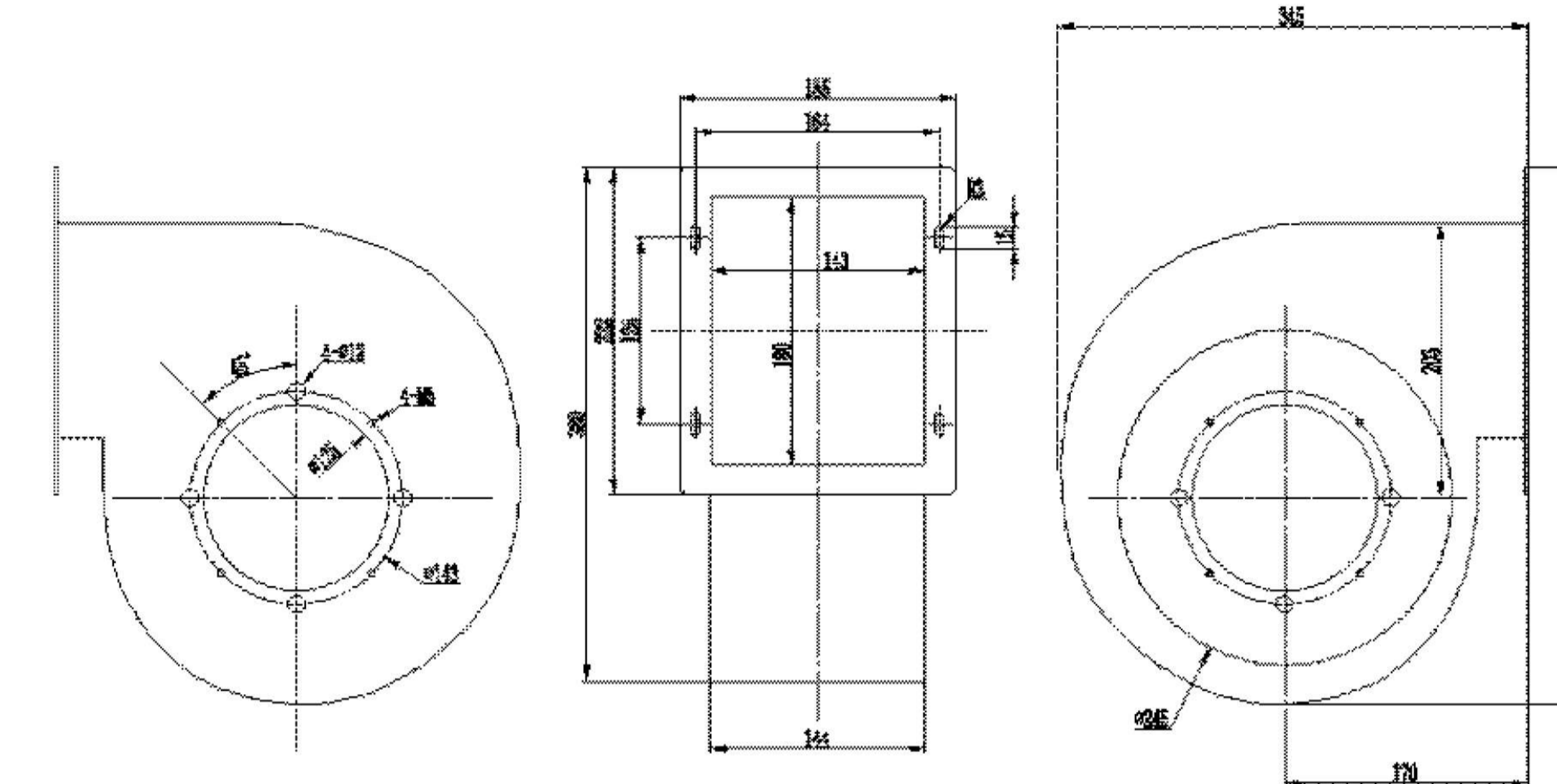


Specifications

Model	Voltage	Power	Frequency	Electric current	Extreme value	Rotational speed
YY-140-40	220V	100W	50HZ	1.4A	8	700

## YY-22 Dehumidifier Fan Motor

Dimension: Unit=mm

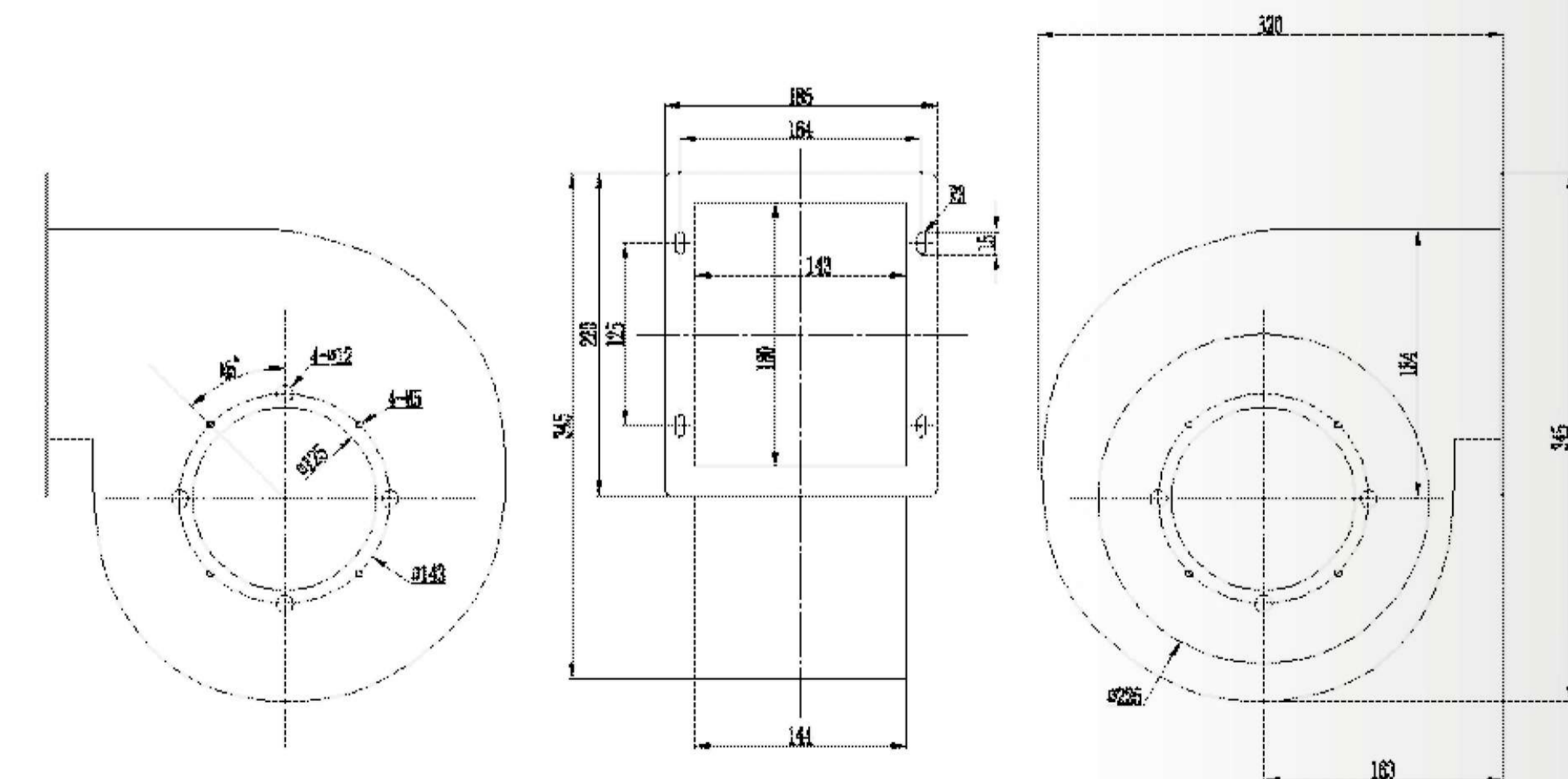


Specifications

Model	Voltage	Power	Frequency	Torque	Extreme value	Rotational speed
YY-22	220V	90W	50HZ	0.8A	4	1100

## YY-13 Dehumidifier Fan Motor

Dimension: Unit=mm

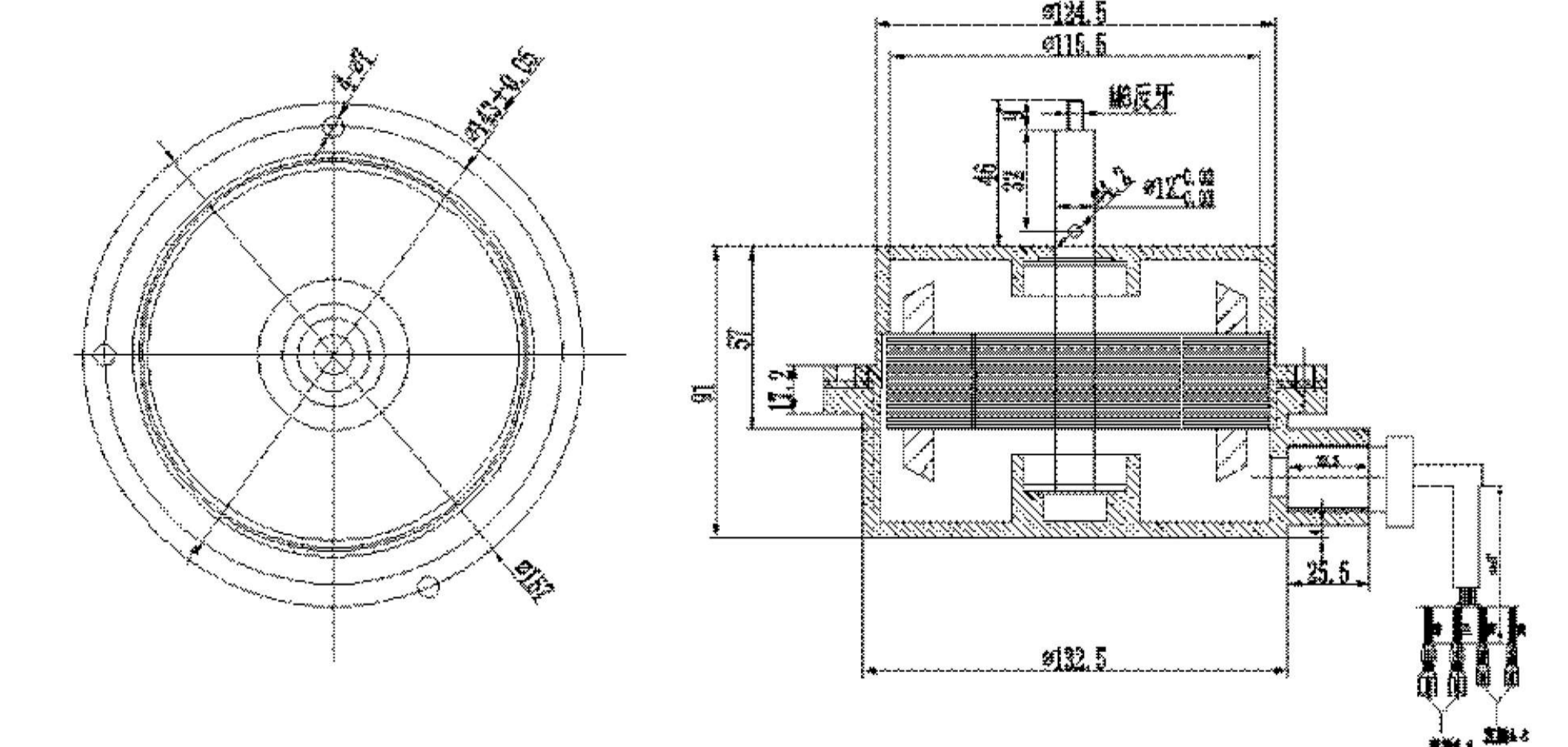


Specifications

Model	Voltage	Power	Frequency	Torque	Extreme value	Rotational speed
YY-13	220V	50W	50HZ	0.27A	4	1050

## YY-13/22 Explosion-proof Motor

Dimension: Unit=mm

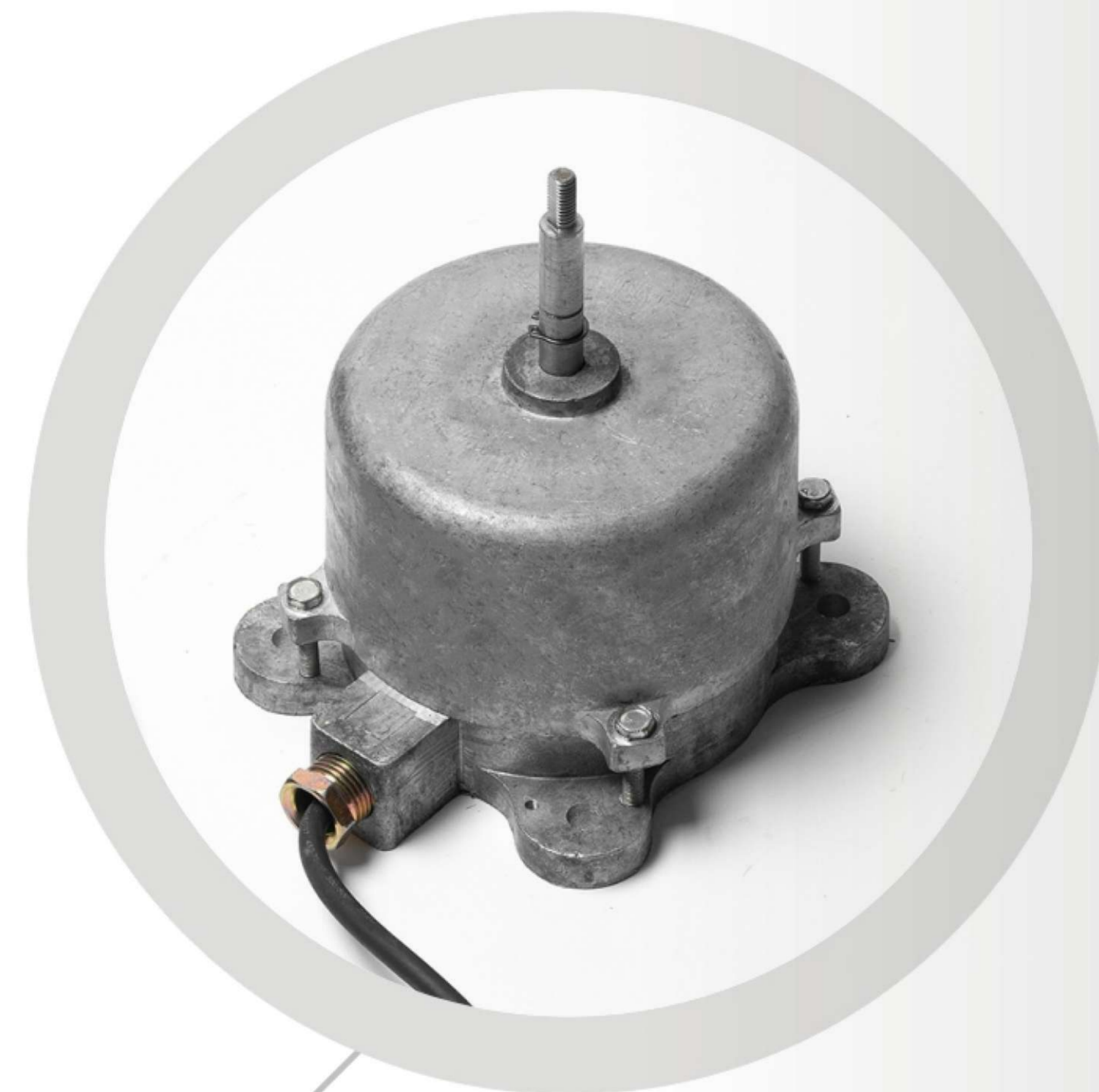
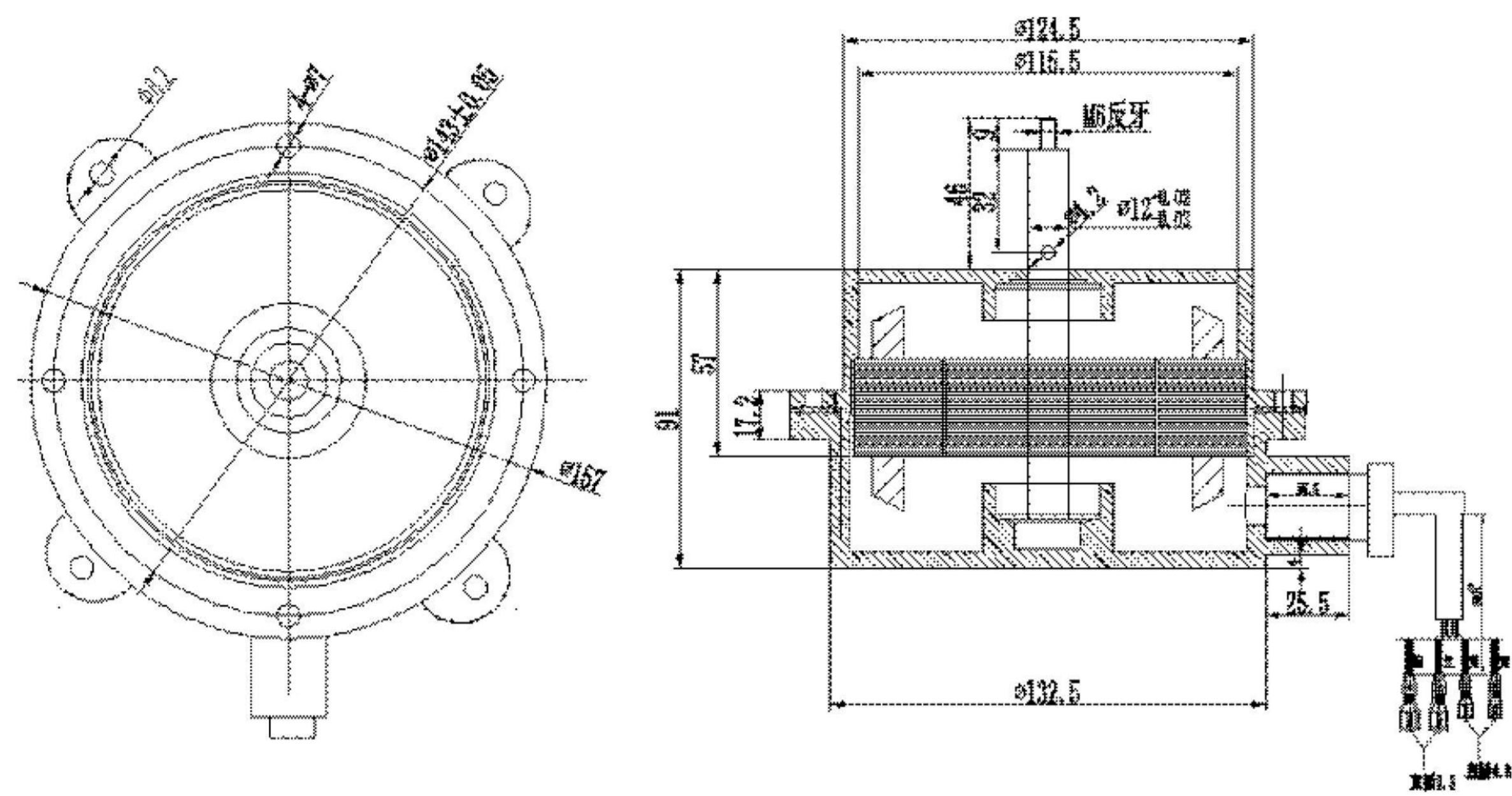


Specifications

Model	Voltage	Power	Frequency	Torque	Extreme value	Rotational speed
YY-13	220V	50W	50HZ	0.27A	4	1410
YY-22	220V	90W	50HZ	0.8A	4	1410

## 118-30 Explosion-proof Motor

Dimension: Unit=mm

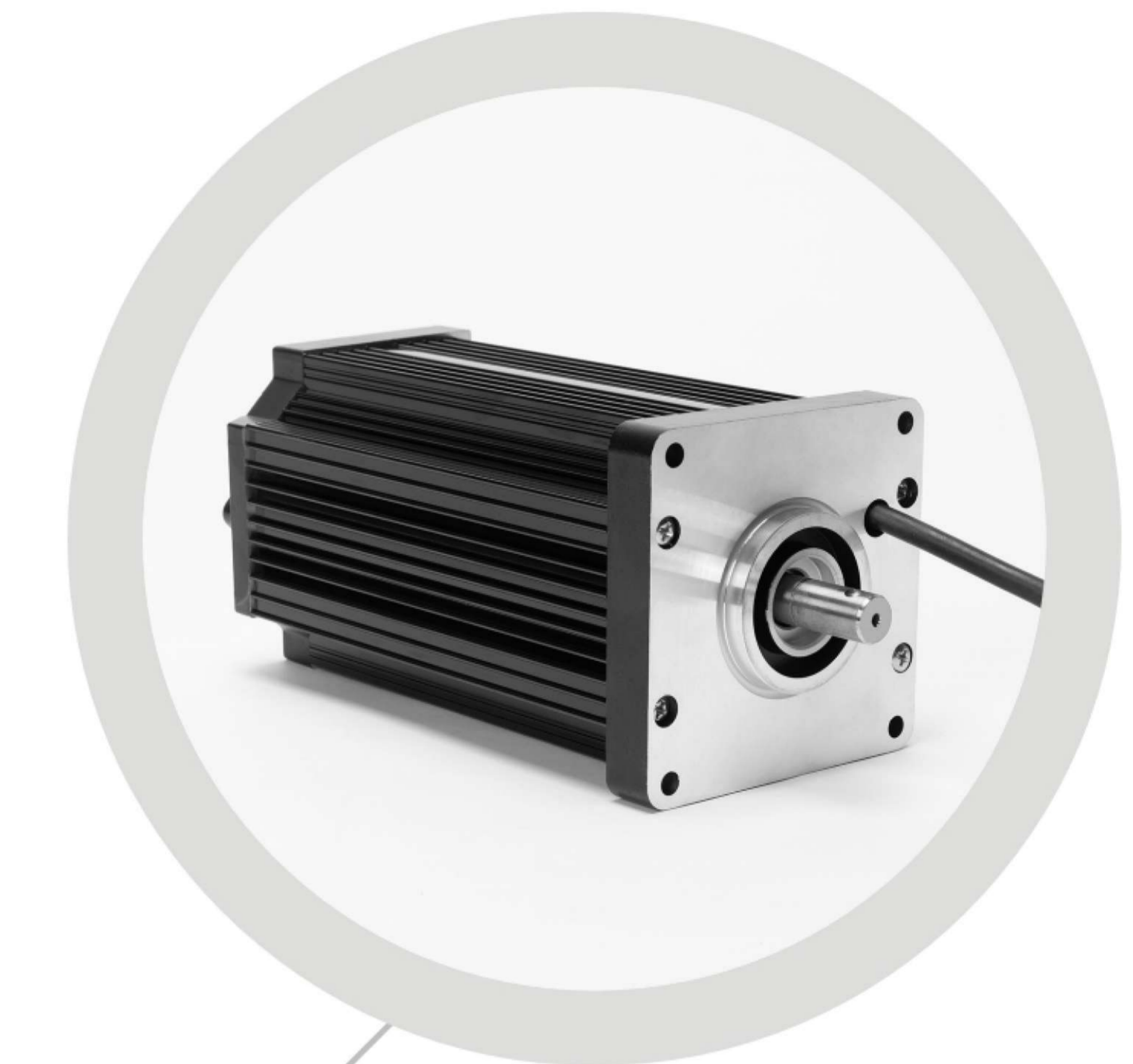
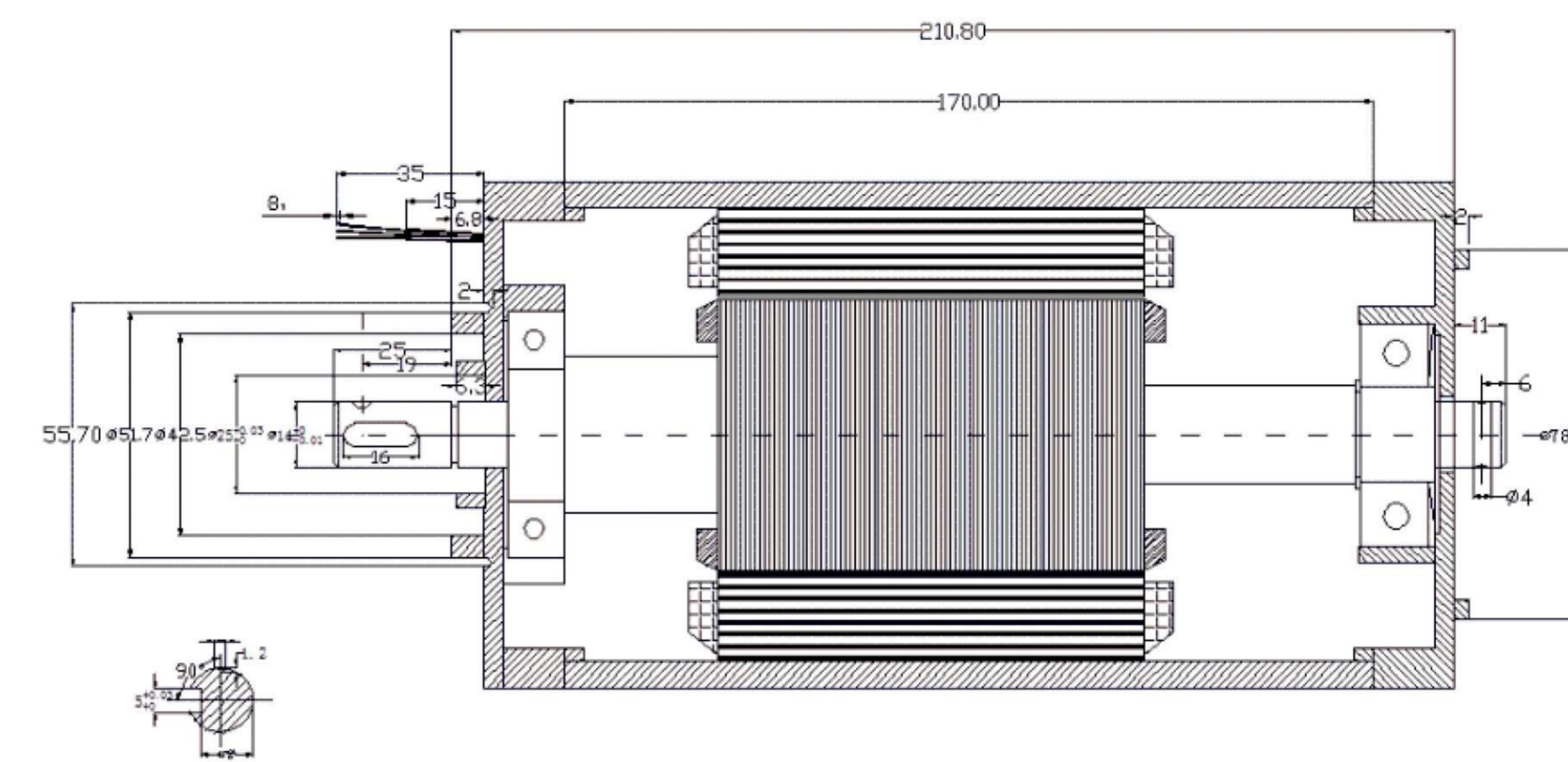


Specifications

Model	Voltage	Power	Frequency	Electric current	Extreme value	Rotational speed
118-30	220V	100W	50HZ	0.7A	6	850

## 96\*90 Motor for Industrial Gate

Dimension: Unit=mm

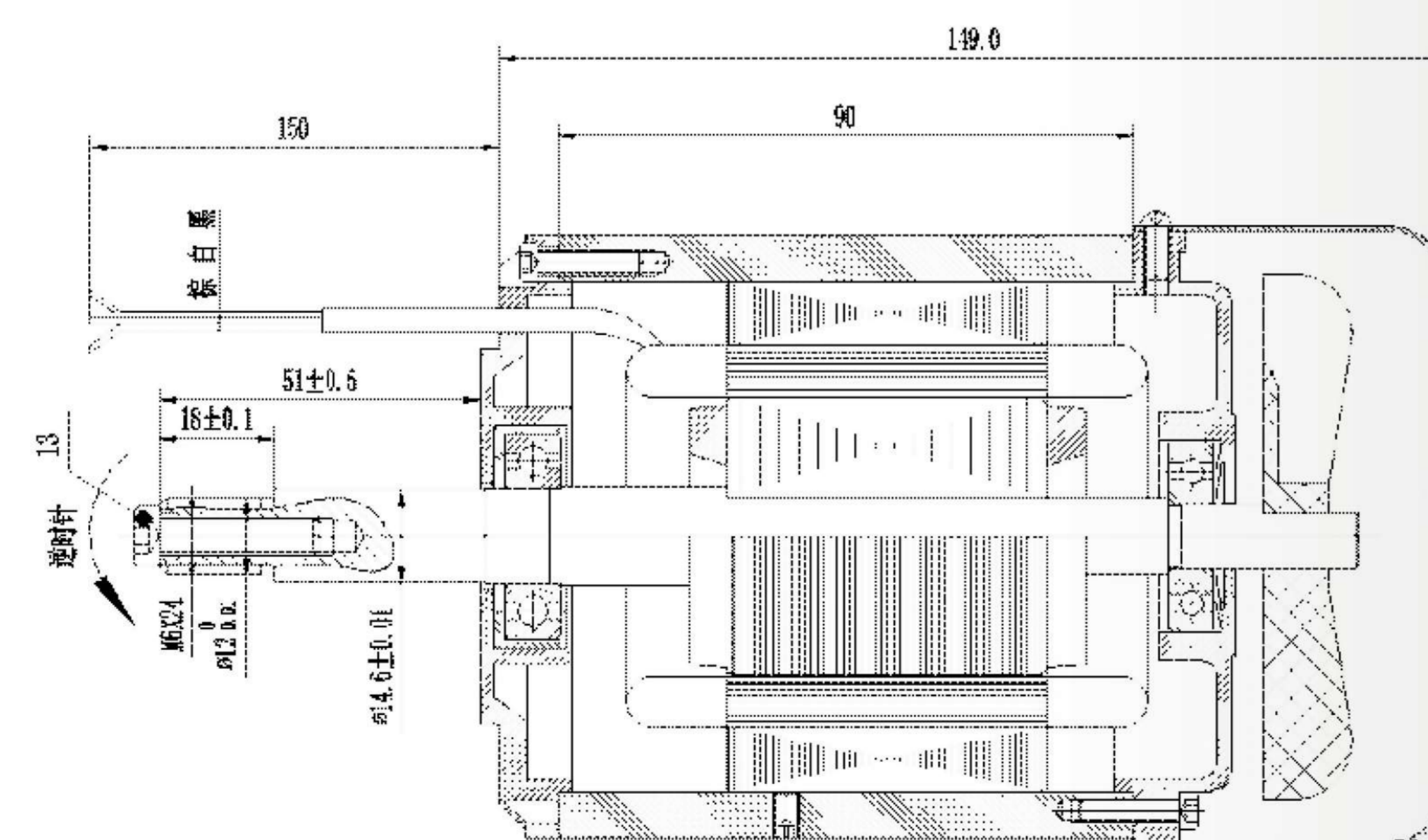
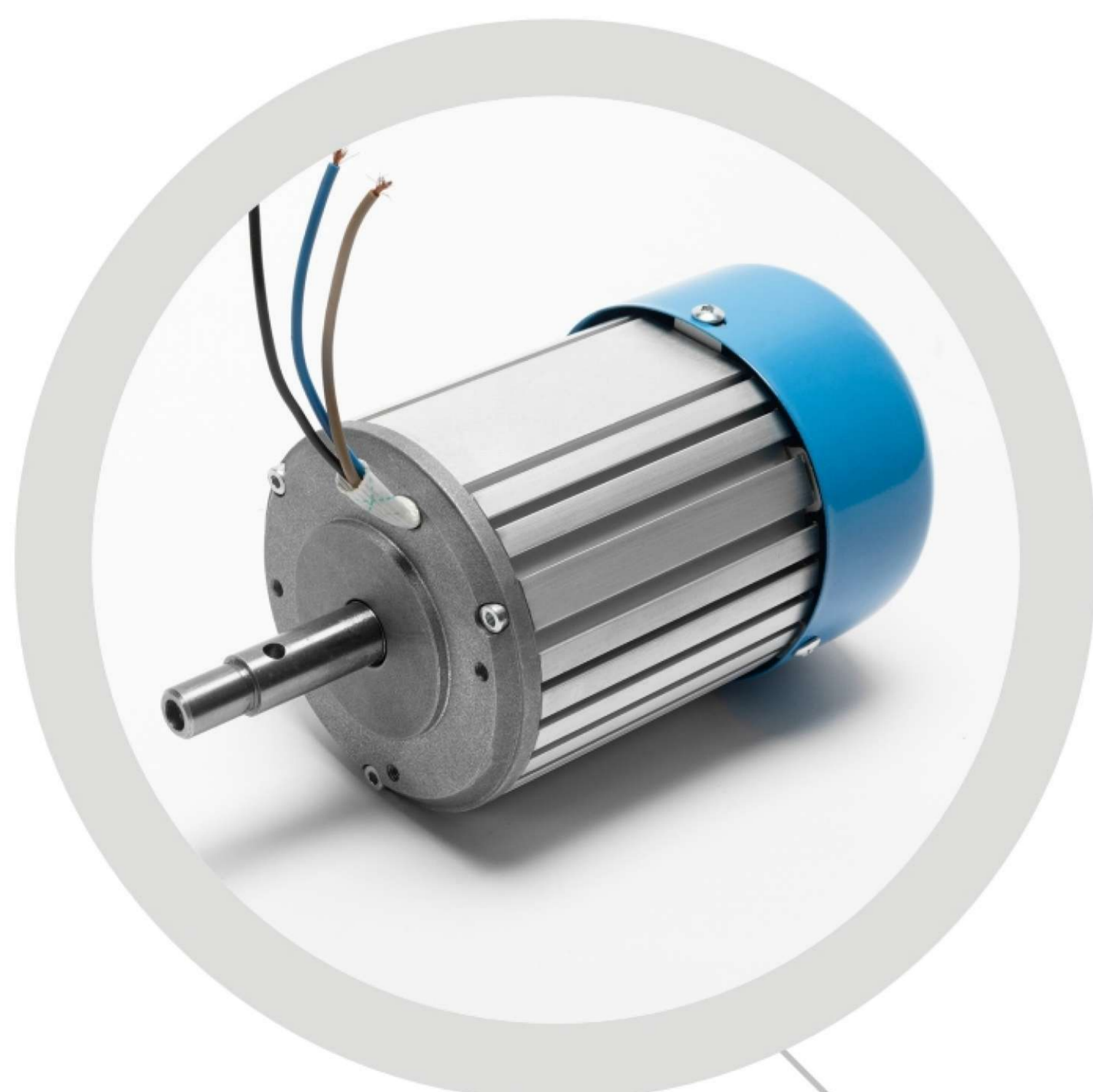


Specifications

Model	Voltage	Power	Frequency	Torque	Extreme value	Rotational speed
96*90	220V	50W	50HZ	4.5NM	4	1410
96*90	380V	90W	50HZ	7.5NM	4	1410

## YY-140 Chain Saw Sharpener Motor

Dimension: Unit=mm

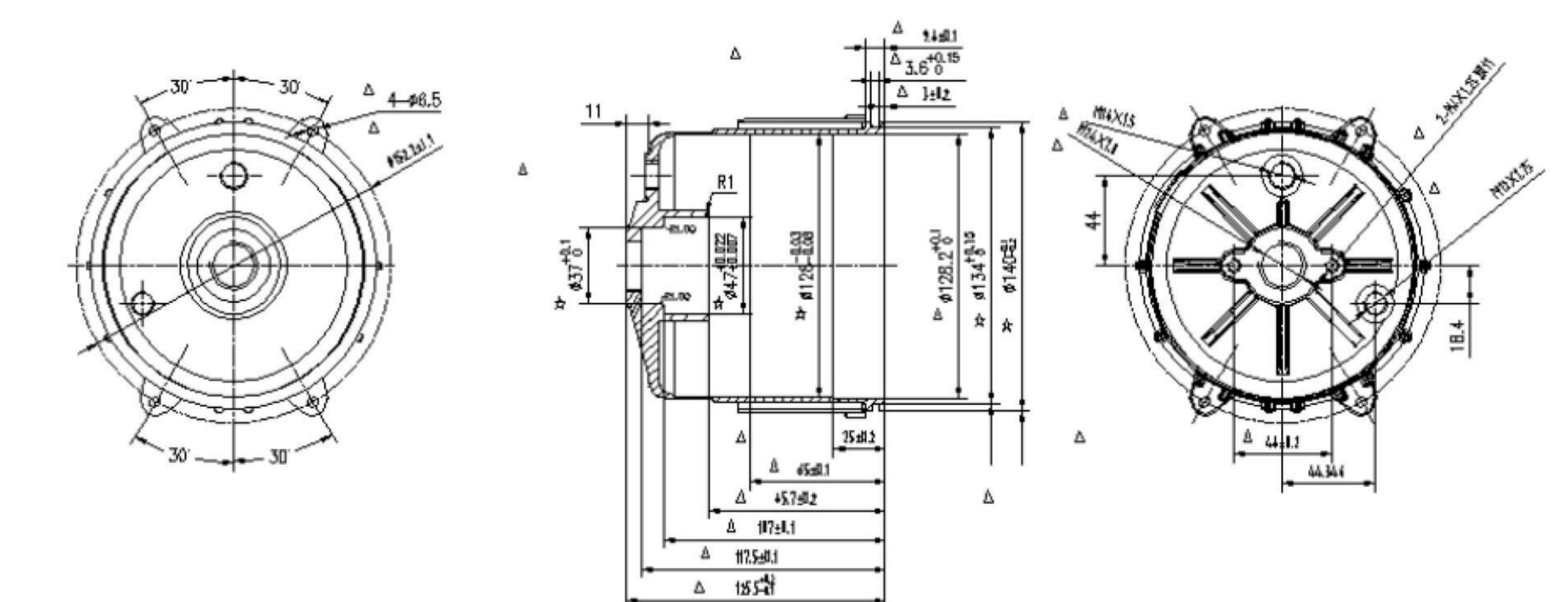


Specifications

Model	Voltage	Power	Frequency	Electric current	Extreme value	Rotational speed
YY-140	220V	95W	50HZ	0.45A	2	2950
YY-140	110V	95W	60HZ	1.4A	2	3550

## 128 Series Gate Opener Motor

Dimension: Unit=mm

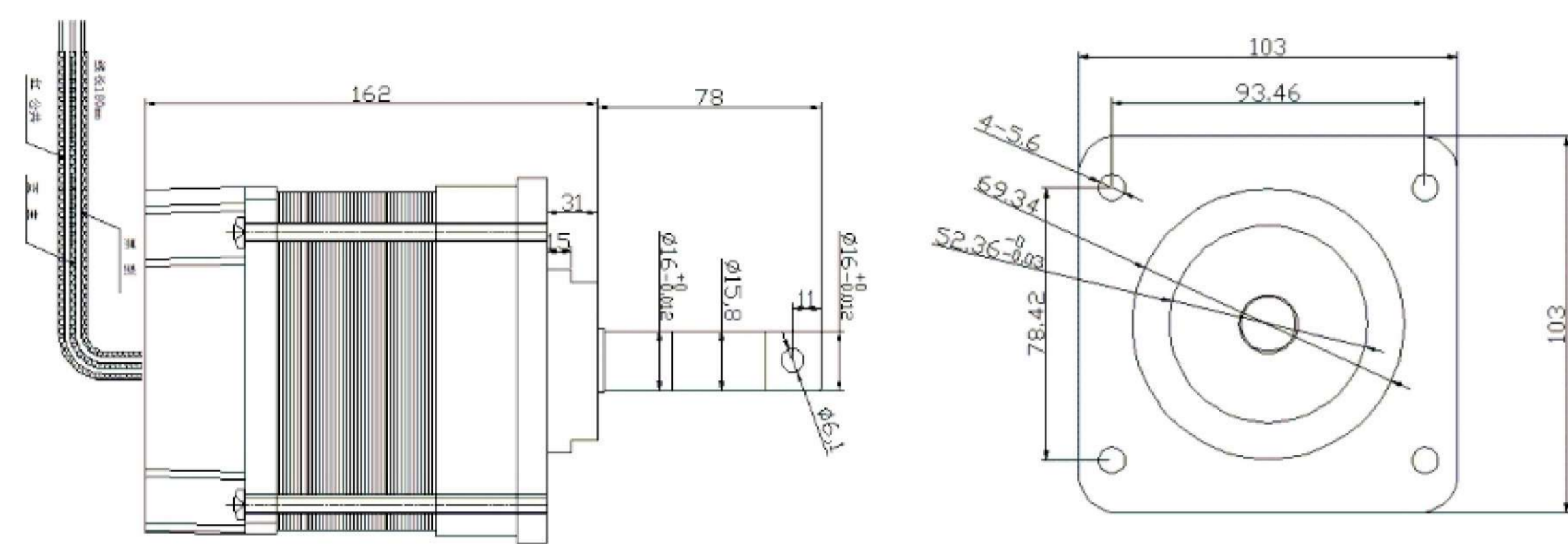


Specifications

Model	Voltage	Power	Frequency	Extreme value	Rotational speed
128 SERIES	110V	375W-1200W	60HZ	4	1450
128 SERIES	220V	375W-750W	50HZ	4	1450
128 SERIES	380V	375W-1200W	50HZ	4	1450

## 110-40/50/60 Gate Opener Motor

Dimension: Unit=mm

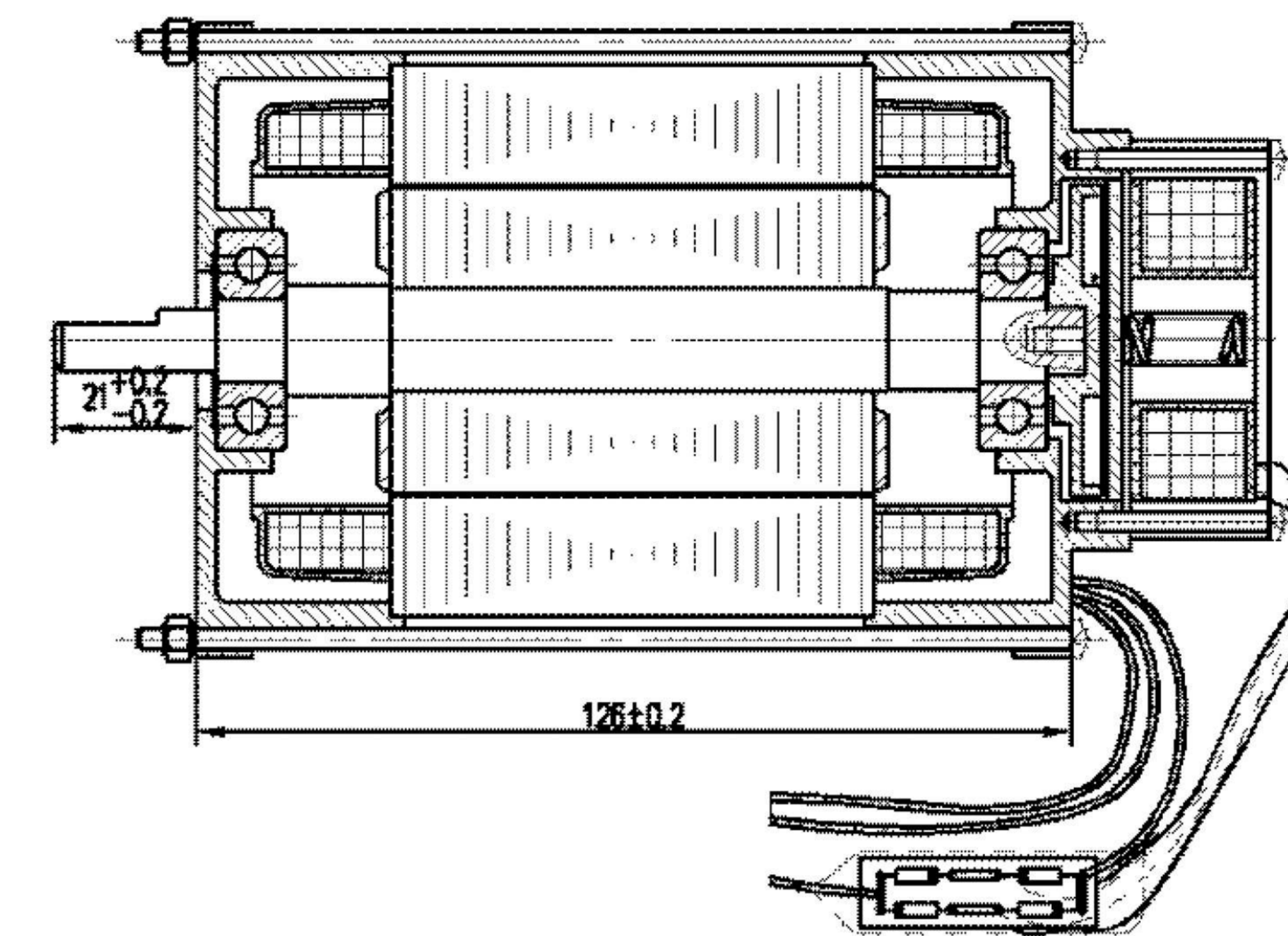


Specifications

Model	Voltage	Power	Frequency	Torque	Extreme value	Rotational speed
110-60	220V	375W	50HZ	1.7A	4	1450
110-50	220V	260W	50HZ	1A	4	1450
110-40	220V	180W	50HZ	0.8A	4	1450

## YY-80 Gate Opener Motor

Dimension: Unit=mm

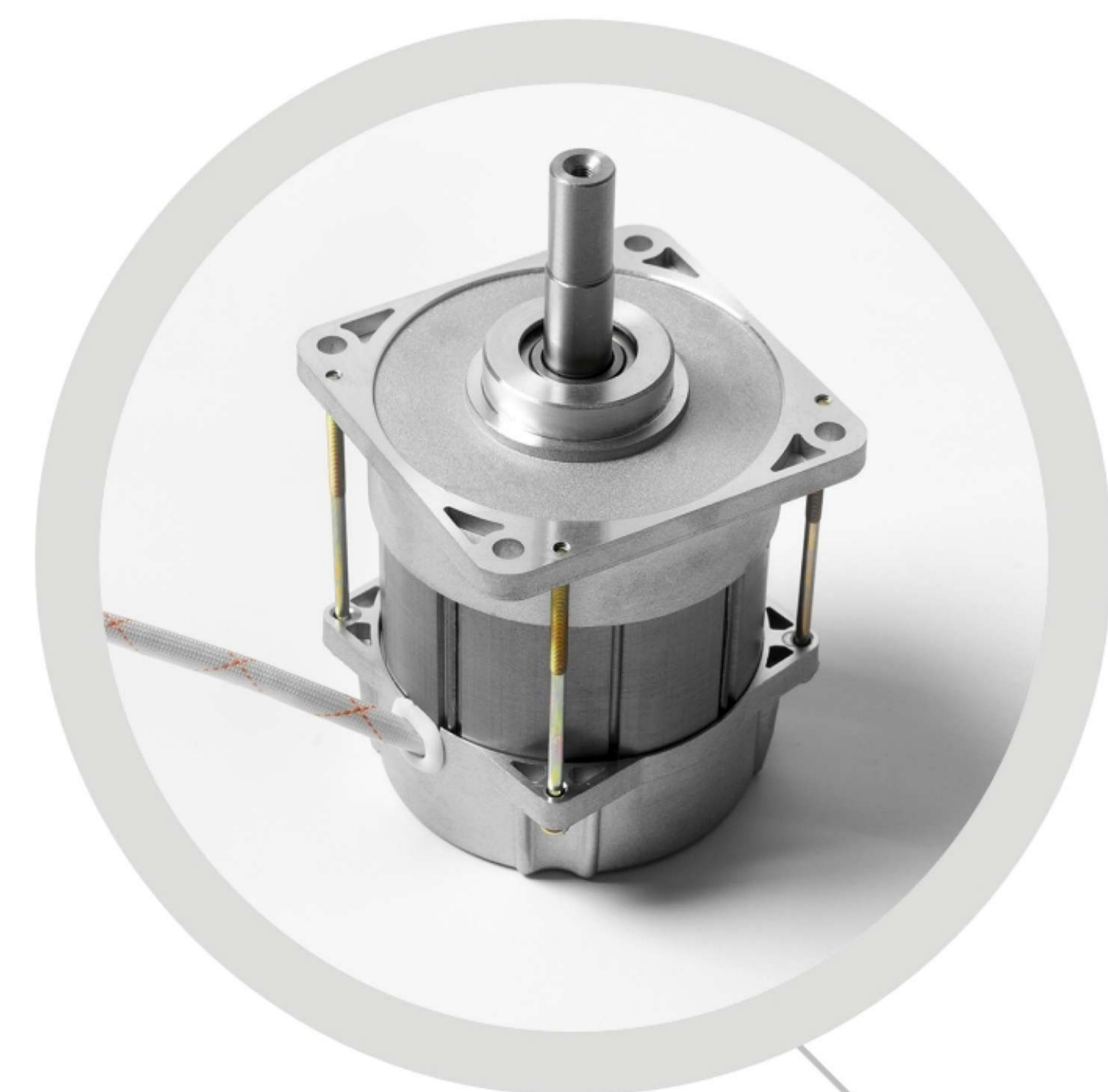
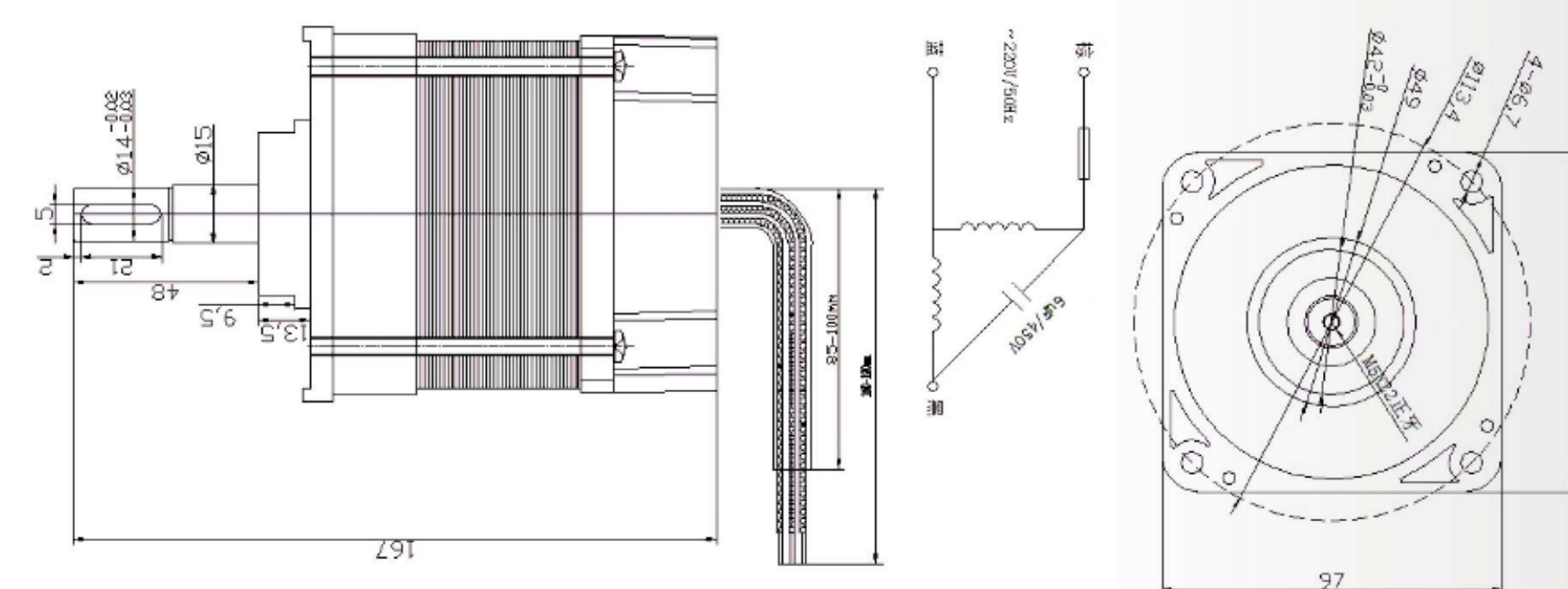


Specifications

Model	Voltage	Power	Frequency	Electric current	Extreme value	Rotational speed
YY-80	220V	160W	50HZ	0.7A	4	1450
YY-80	110V	160W	50HZ	1.4A	4	1450

## 96\*52 Gate Opener Motor

Dimension: Unit=mm

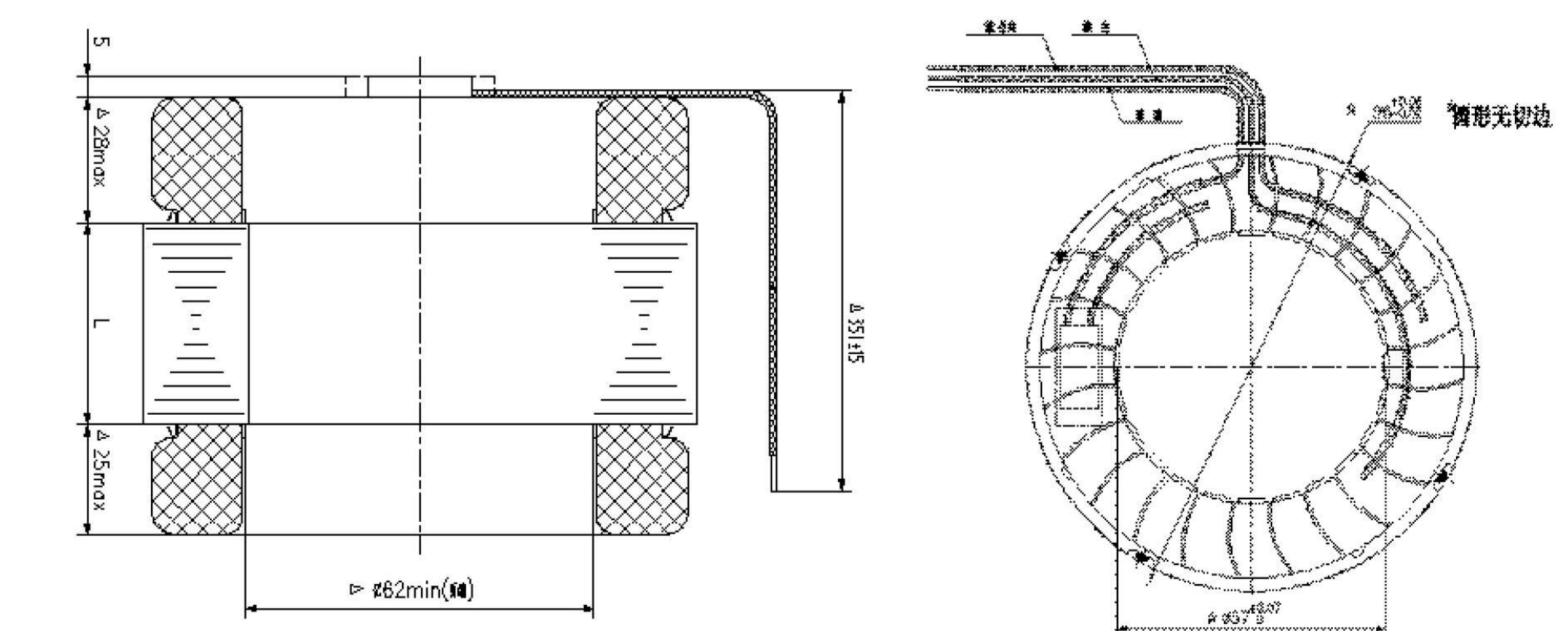


Specifications

Model	Voltage	Power	Frequency	Torque	Rotational speed
96*52	220V	120W	50HZ	0.5A	850

## 96 series Gate Opener Motor

Dimension: Unit=mm

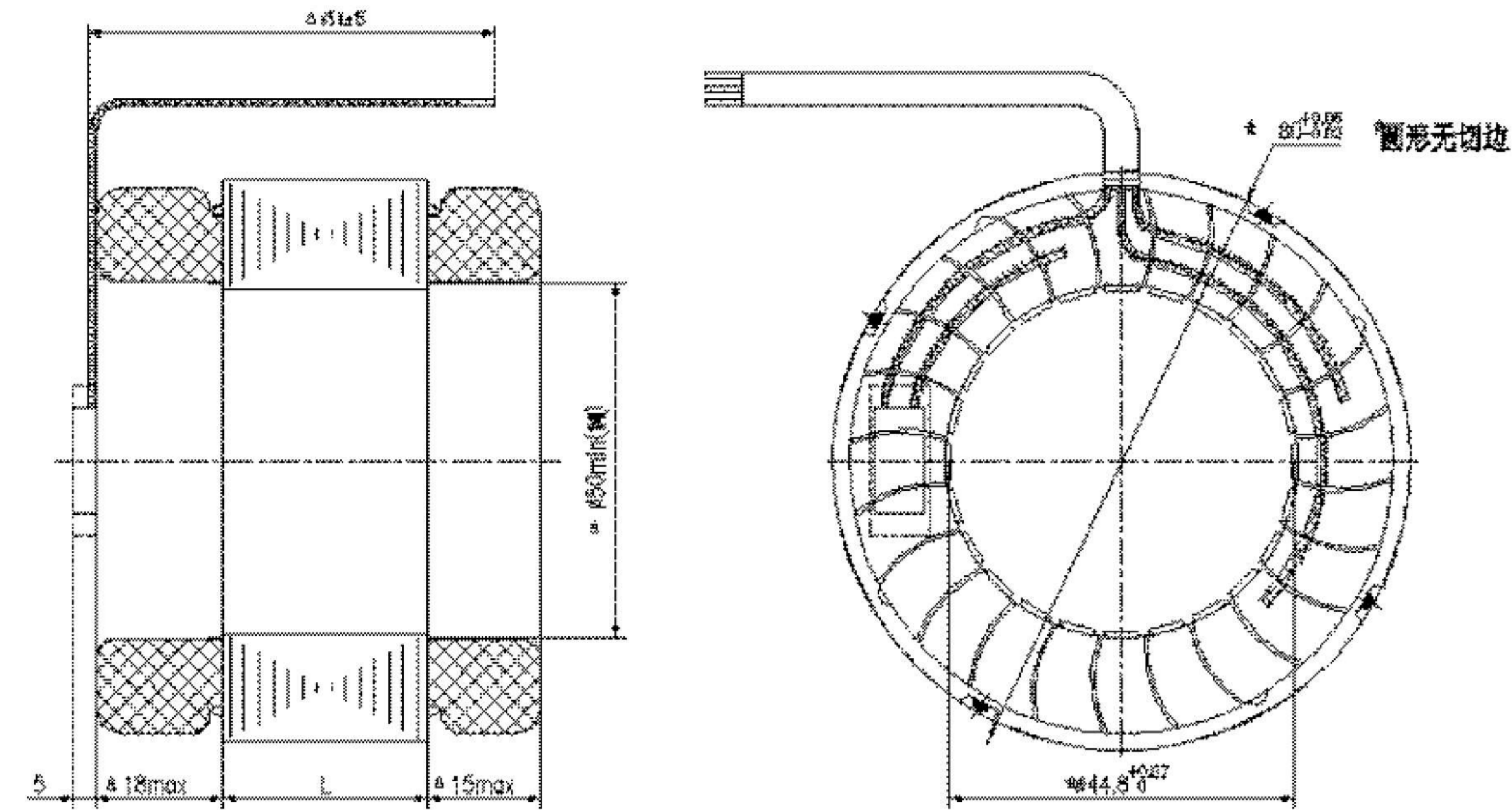


Specifications

Model	Voltage	Power	Frequency	Extreme value	Rotational speed
96 Series	三相220V	35-100NM	50HZ	4	1450
96 Series	三相380V	35-100NM	50HZ	4	1450
96 Series	220V	35-50NM	50HZ	4	1450

## 80-45 Gate Opener Motor

Dimension: Unit=mm

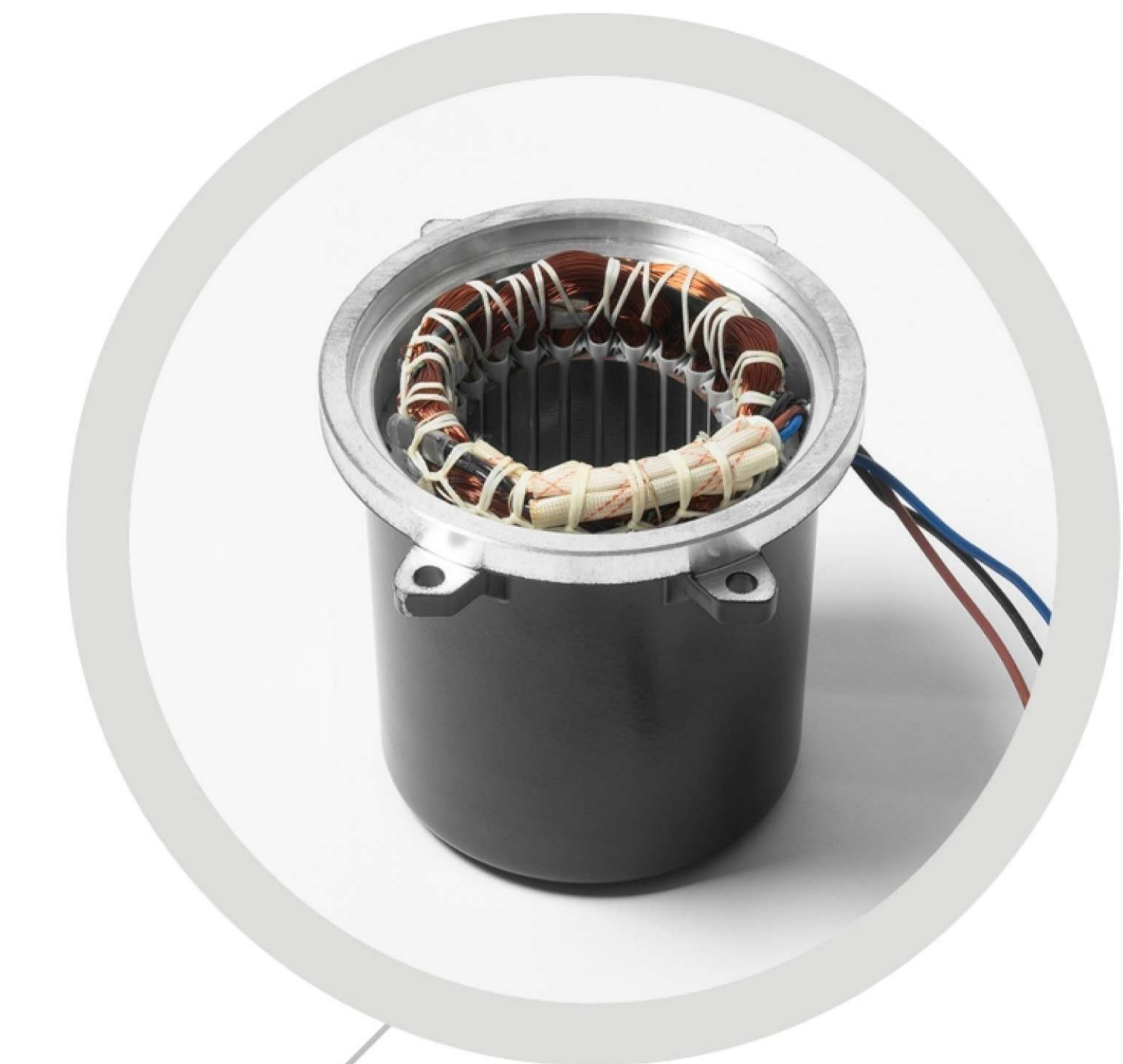
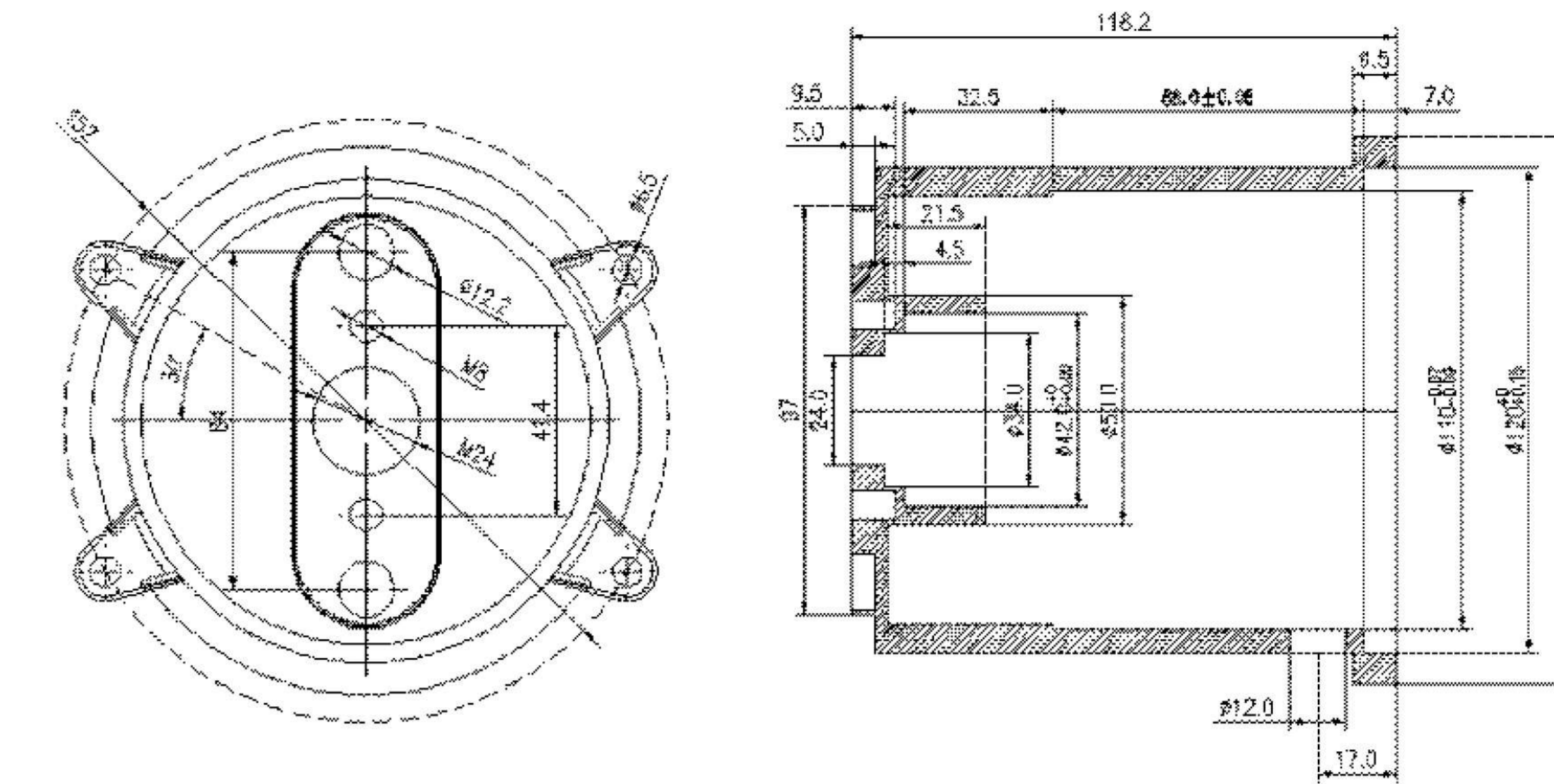


Specifications

Model	Voltage	Power	Frequency	Electric current	Extreme value	Rotational speed
80-45	220V	80W	50HZ	0.36	4	1450
80-45	110V	80W	60HZ	0.7	4	1450

## 110 Series Gate Opener Motor

Dimension: Unit=mm

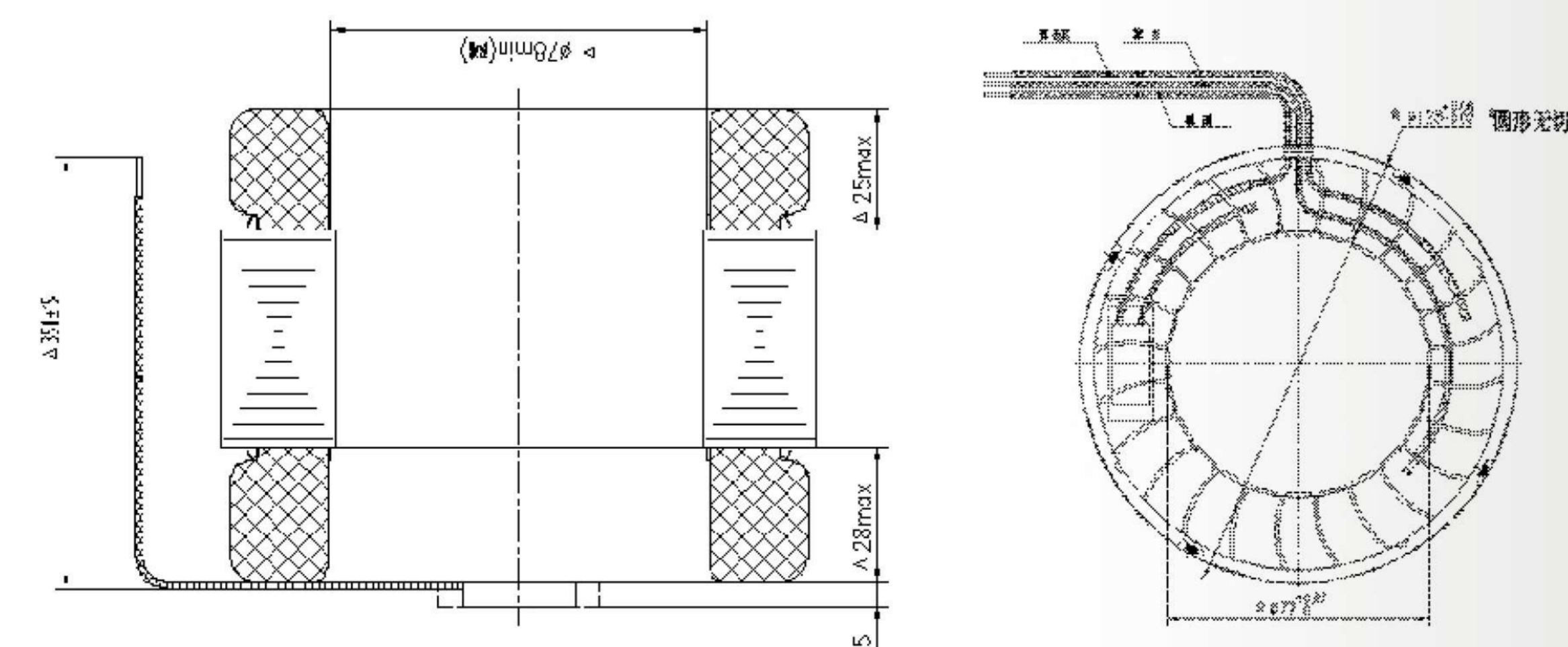


Specifications

Model	Voltage	Power	Frequency	Extreme value	Rotational speed
110 Series	110V	120W-370W	60HZ	4	1450
110 Series	220V	120W-370W	50HZ	4	1450
110 Series	380V	120W-370W	50HZ	4	1450

## 128 Series Gate Opener Motor

Dimension: Unit=mm

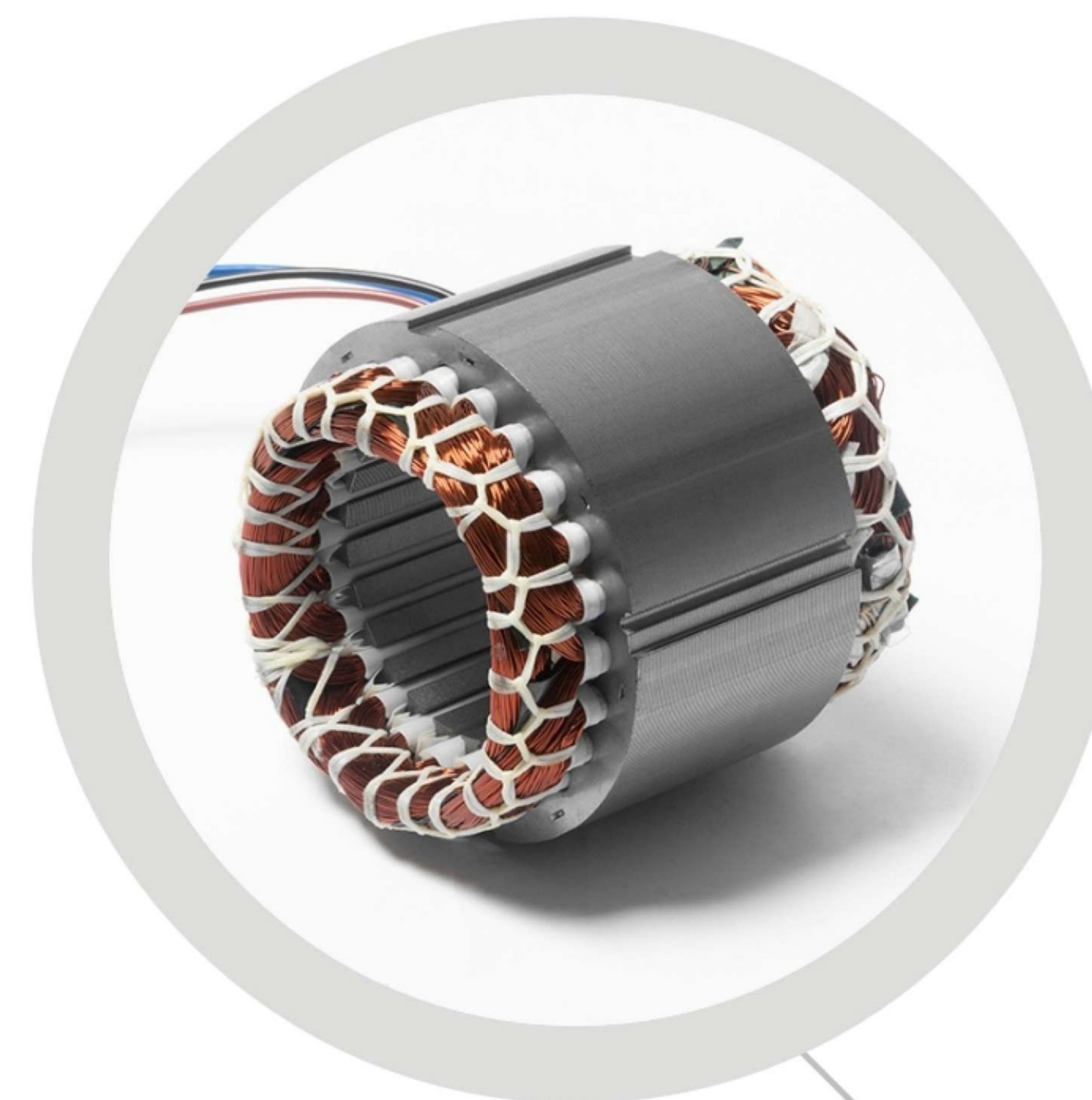
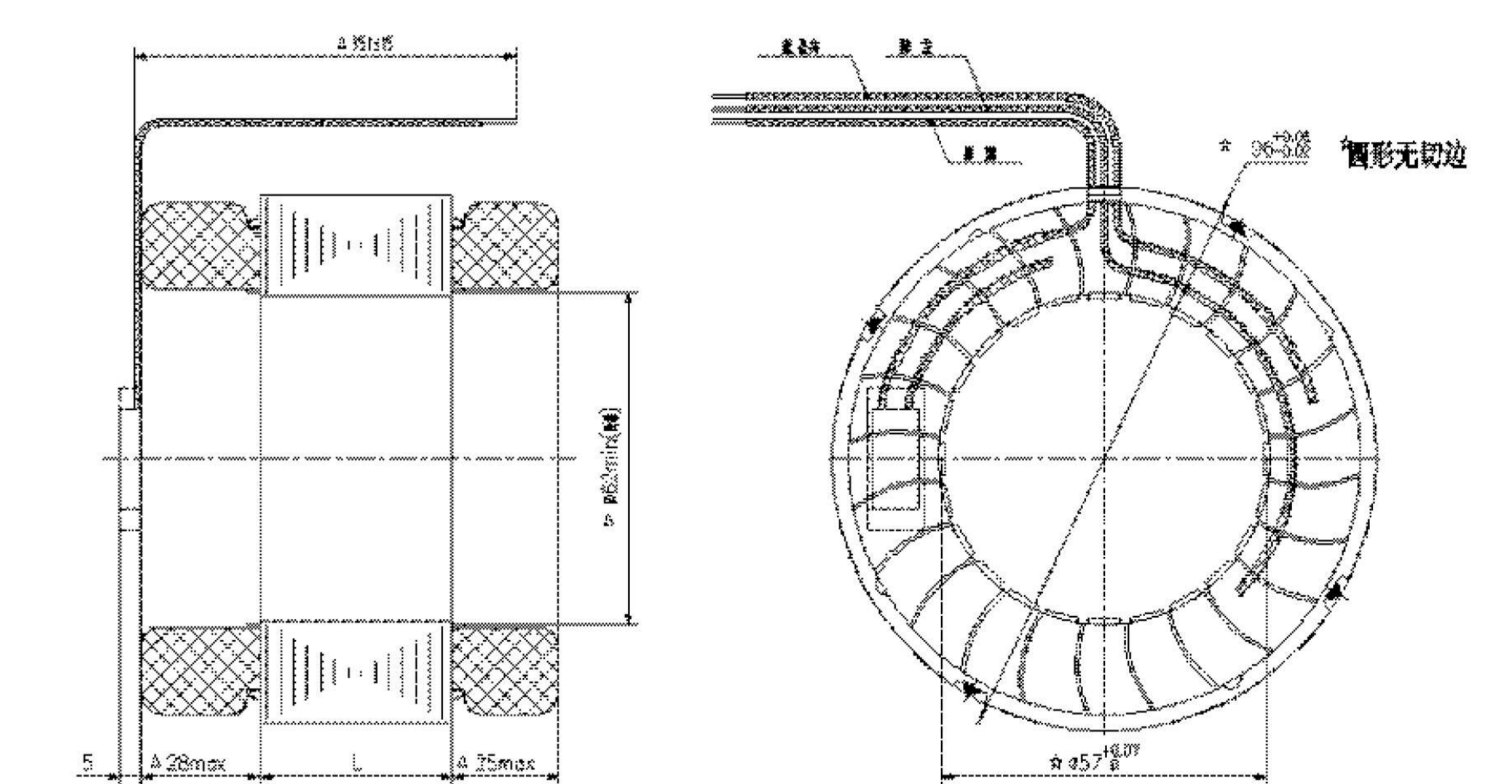


Specifications

Model	Voltage	Power	Frequency	Extreme value	Rotational speed
128 Series	110V	375W-1200W	60HZ	4	1450
128 Series	220V	375W-750W	50HZ	4	1450
128 Series	380V	375W-1200W	50HZ	4	1450

## 96 Series Gate Opener Motor

Dimension: Unit=mm



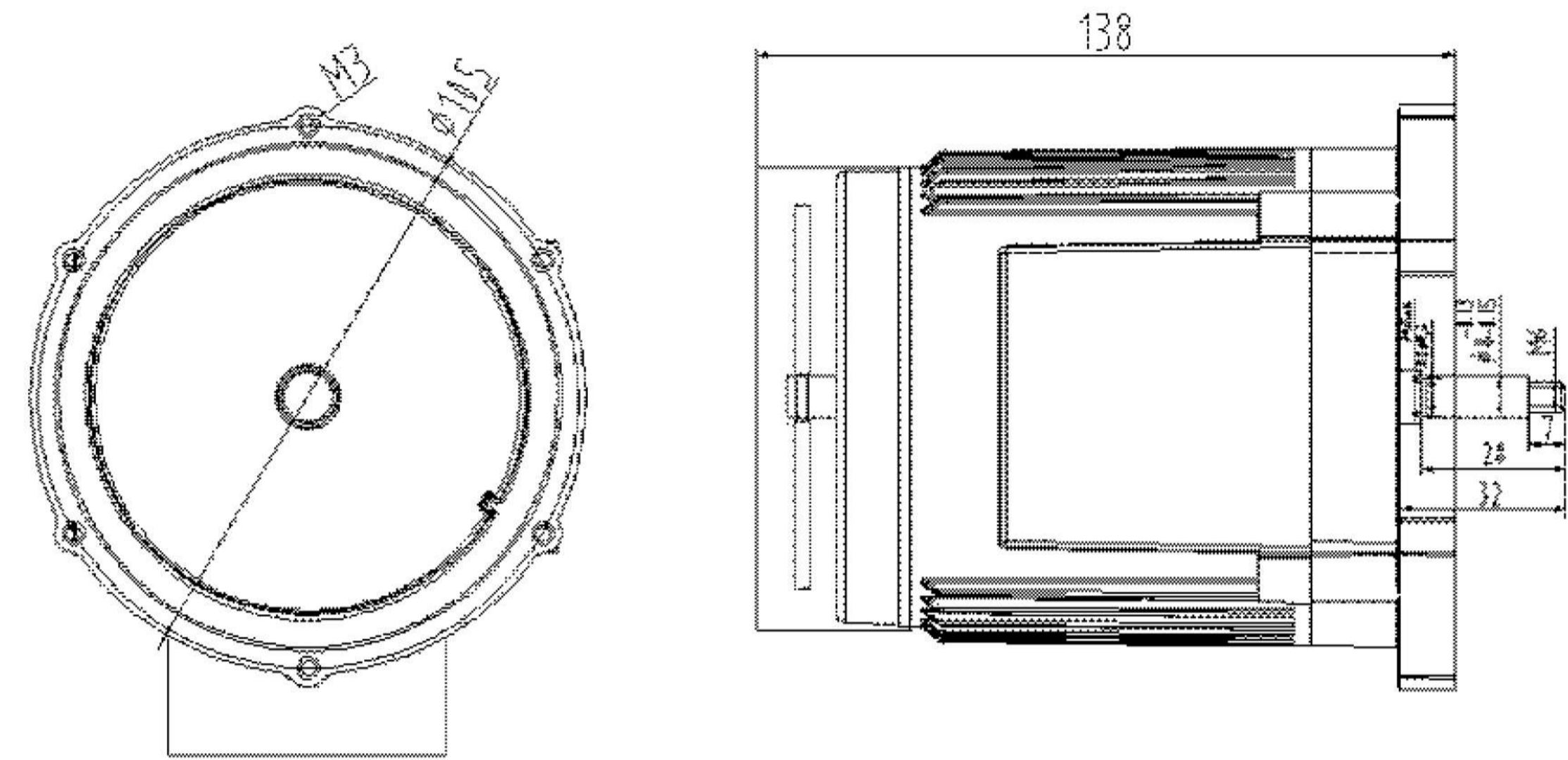
Specifications

Model	Voltage	Power	Frequency	Extreme value	Rotational speed
96 Series	220V	60W-250W	50HZ	4	1450



## YY-85 Water Pump Motor

Dimension: Unit=mm

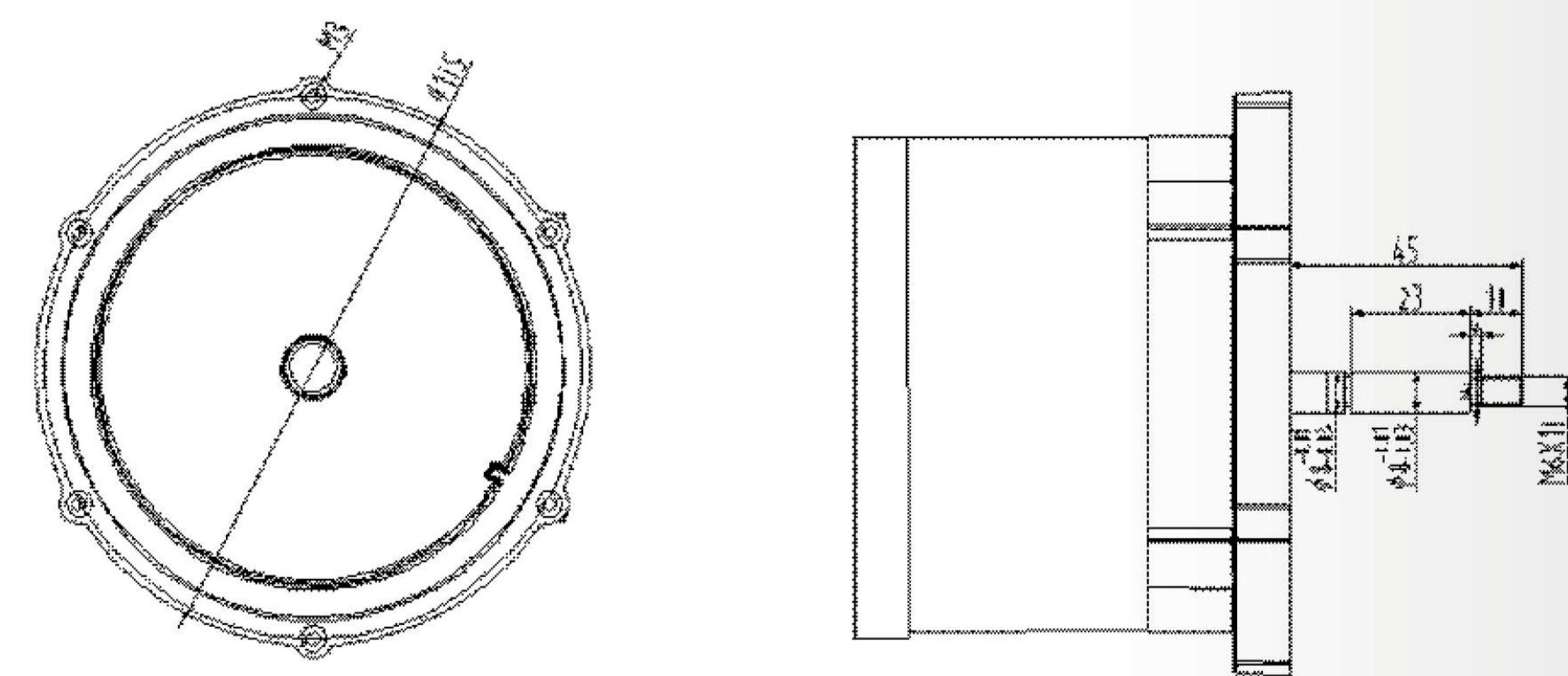
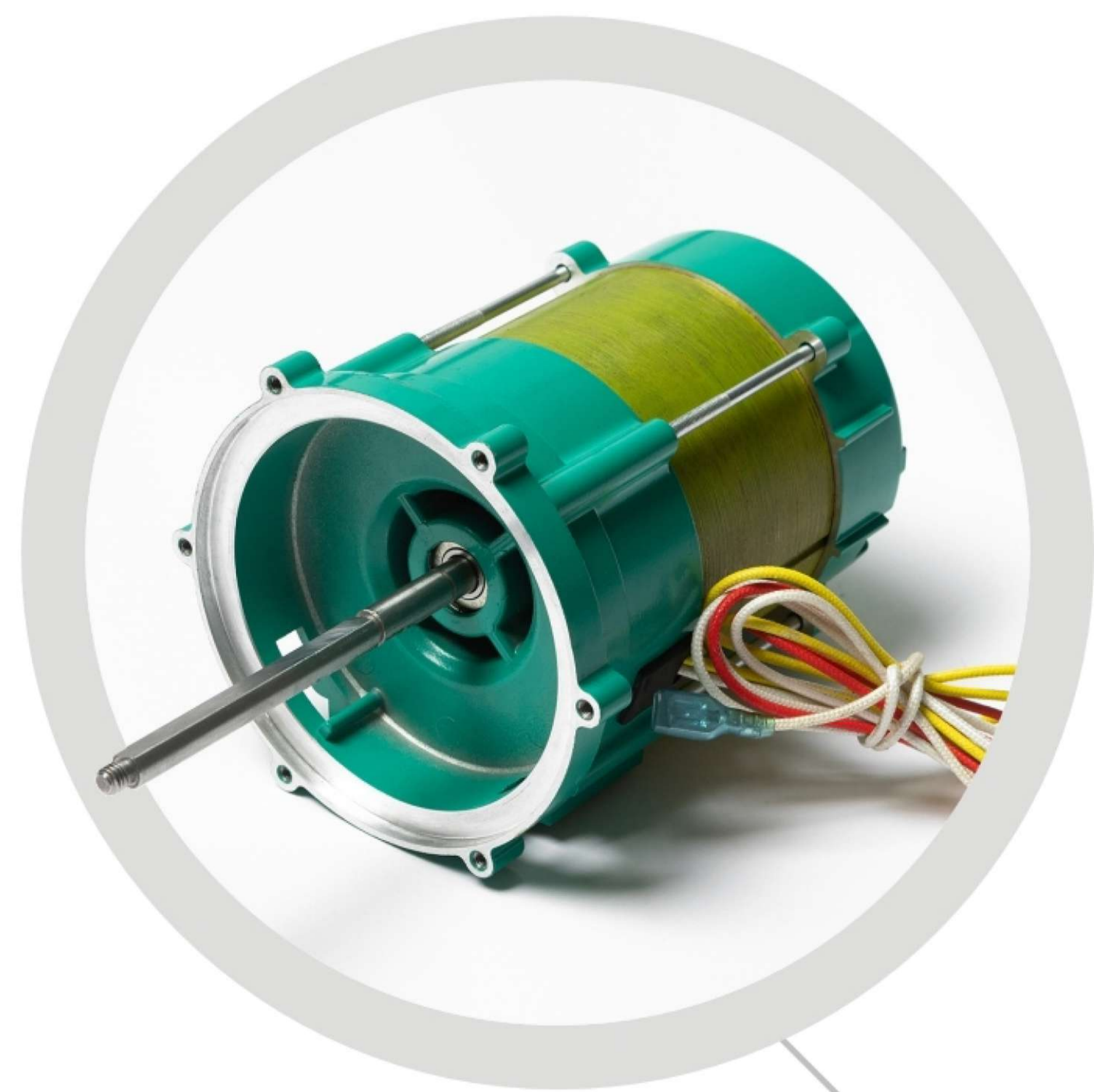


Specifications

Model	Voltage	Power	Frequency	Electric current	Extreme value	Rotational speed
YY-85	220V	120W	50HZ	0.5A	2	2800

## YY-82 Water Pump Motor

Dimension: Unit=mm

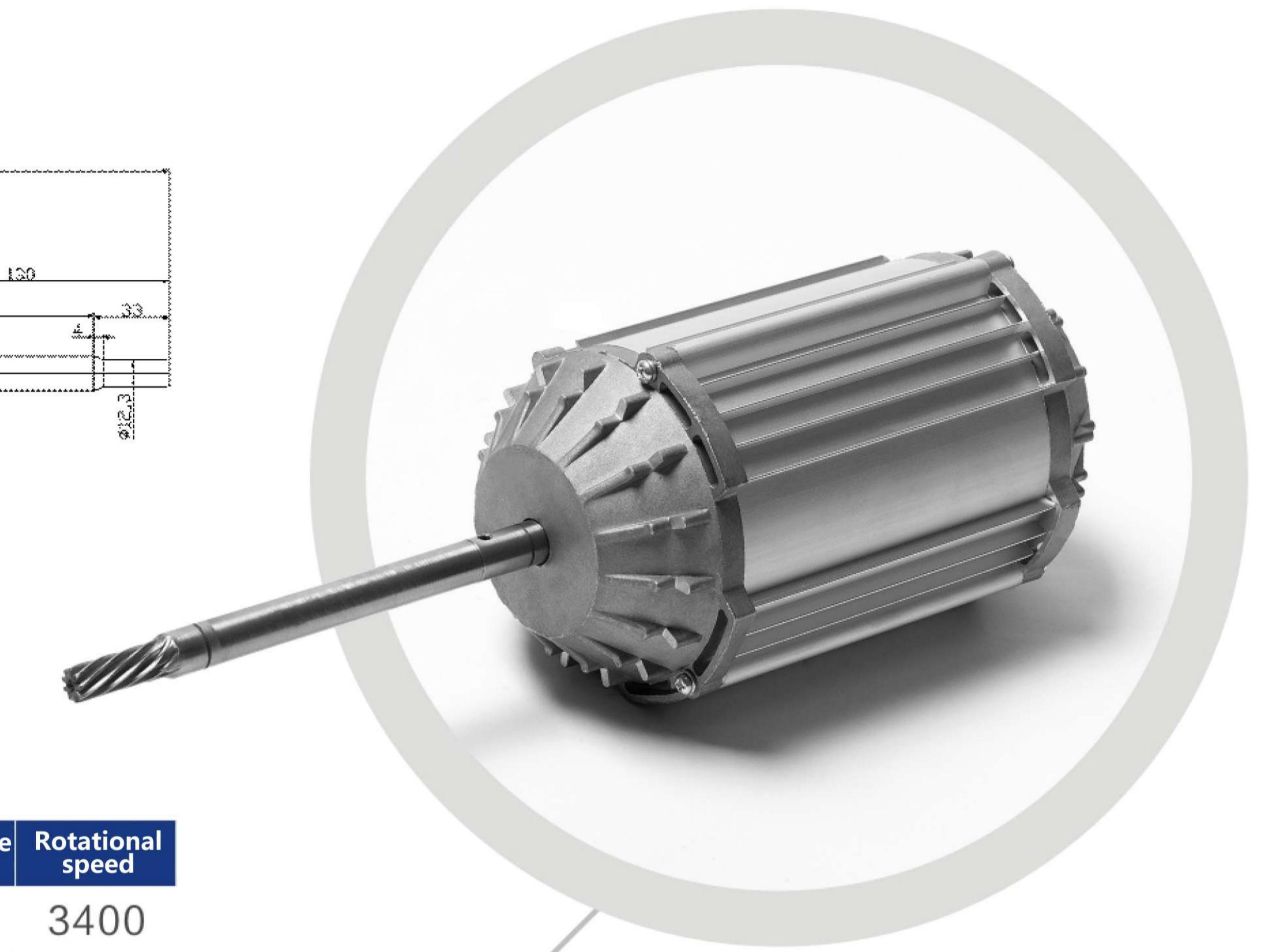
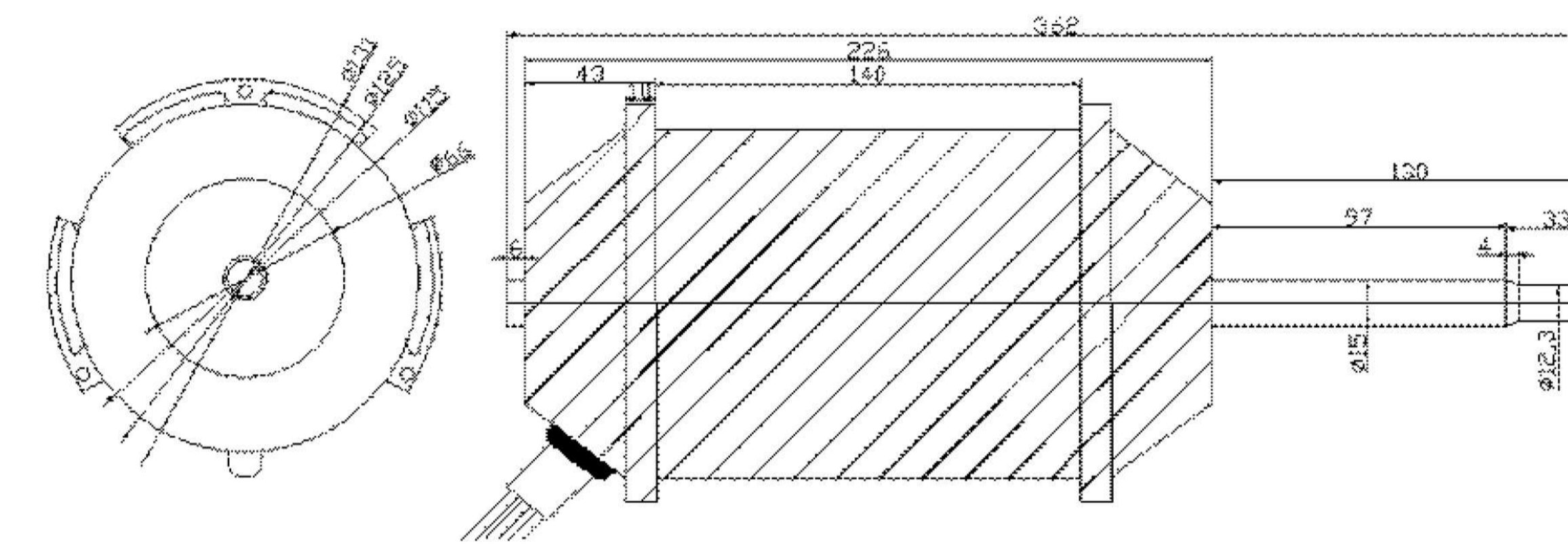


Specifications

Model	Voltage	Power	Frequency	Electric current	Extreme value	Rotational speed
YY-82	220V	35W	50HZ	0.16A	2	2800
YY-82	220V	80W	50HZ	0.36A	2	2800

## Vacuum Cleaner Motor

Dimension: Unit=mm

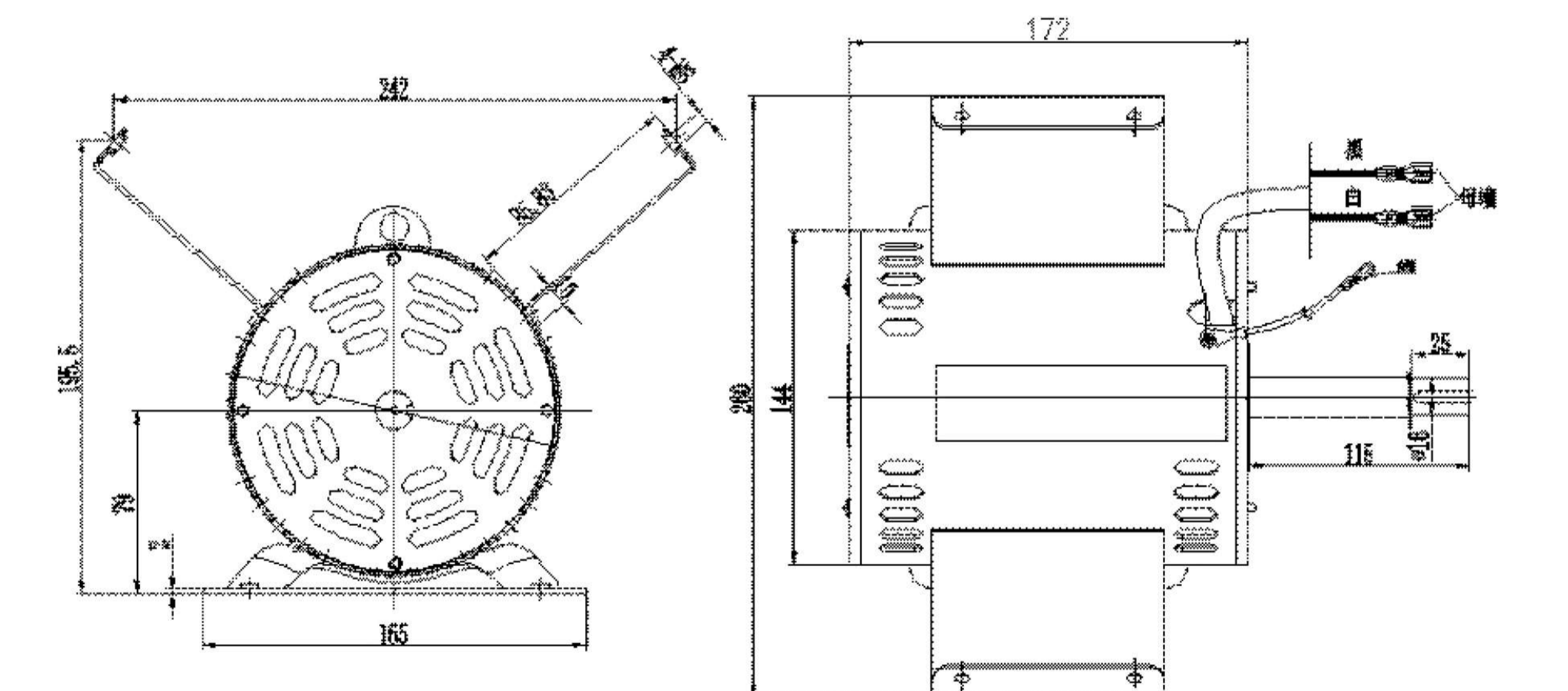


Specifications

Model	Voltage	Power	Frequency	Electric current	Extreme value	Rotational speed
110-100	110V	220W	60HZ	2.7A	2	3400
110-100	220V	220W	50HZ	2.7A	2	2800

## 140-60/70/75 Blower Motor

Dimension: Unit=mm

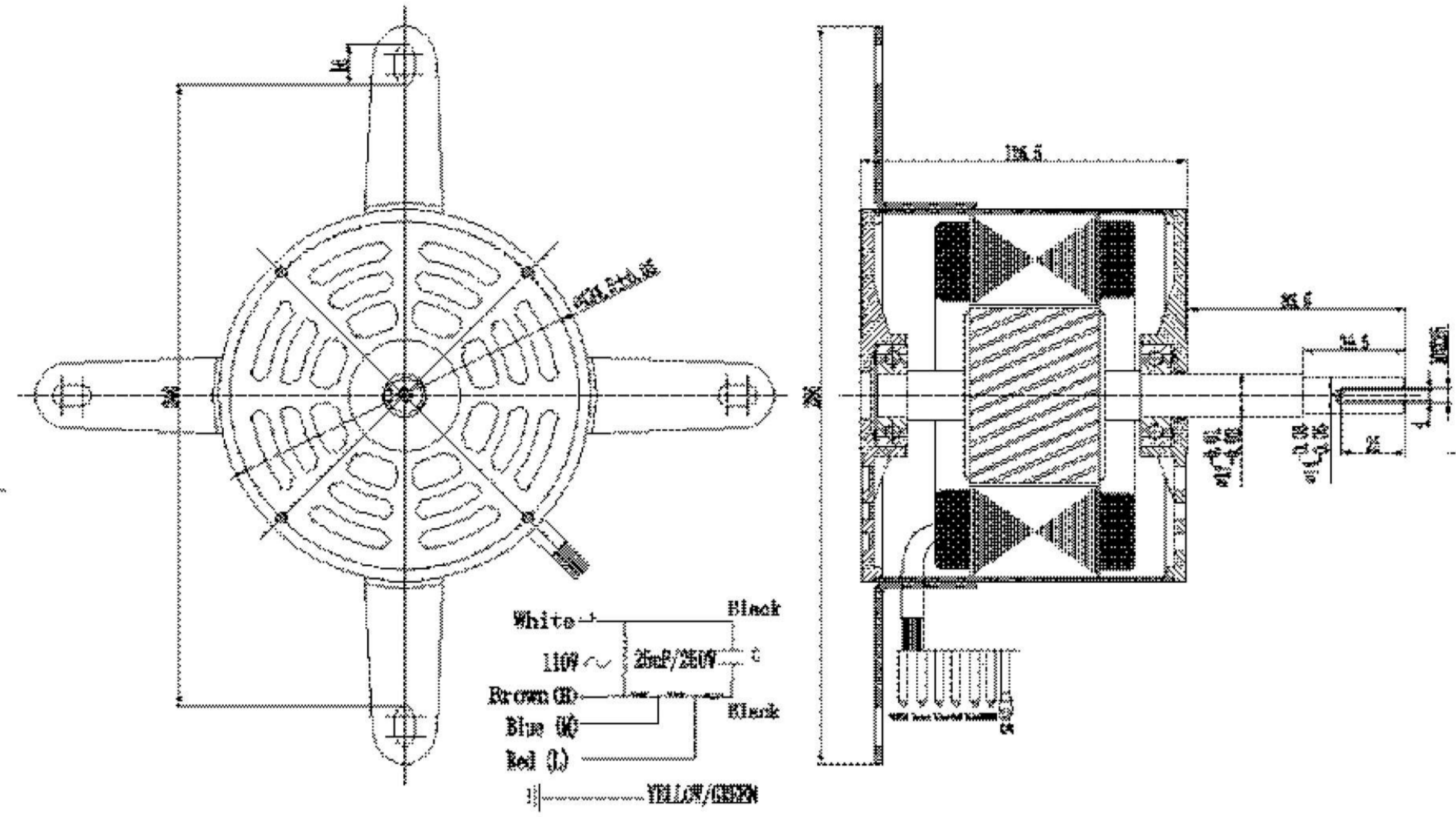


Specifications

Model	Voltage	Power	Frequency	Electric current	Extreme value	Rotational speed
140-60	110V	1HP	60hz	8A	2	3300
140-70	110V	1.25HP	60hz	10.5A	2	3300
140-75	110V	2HP	60hz	12A	2	3300

## 140-50 Blower Motor

Dimension: Unit=mm

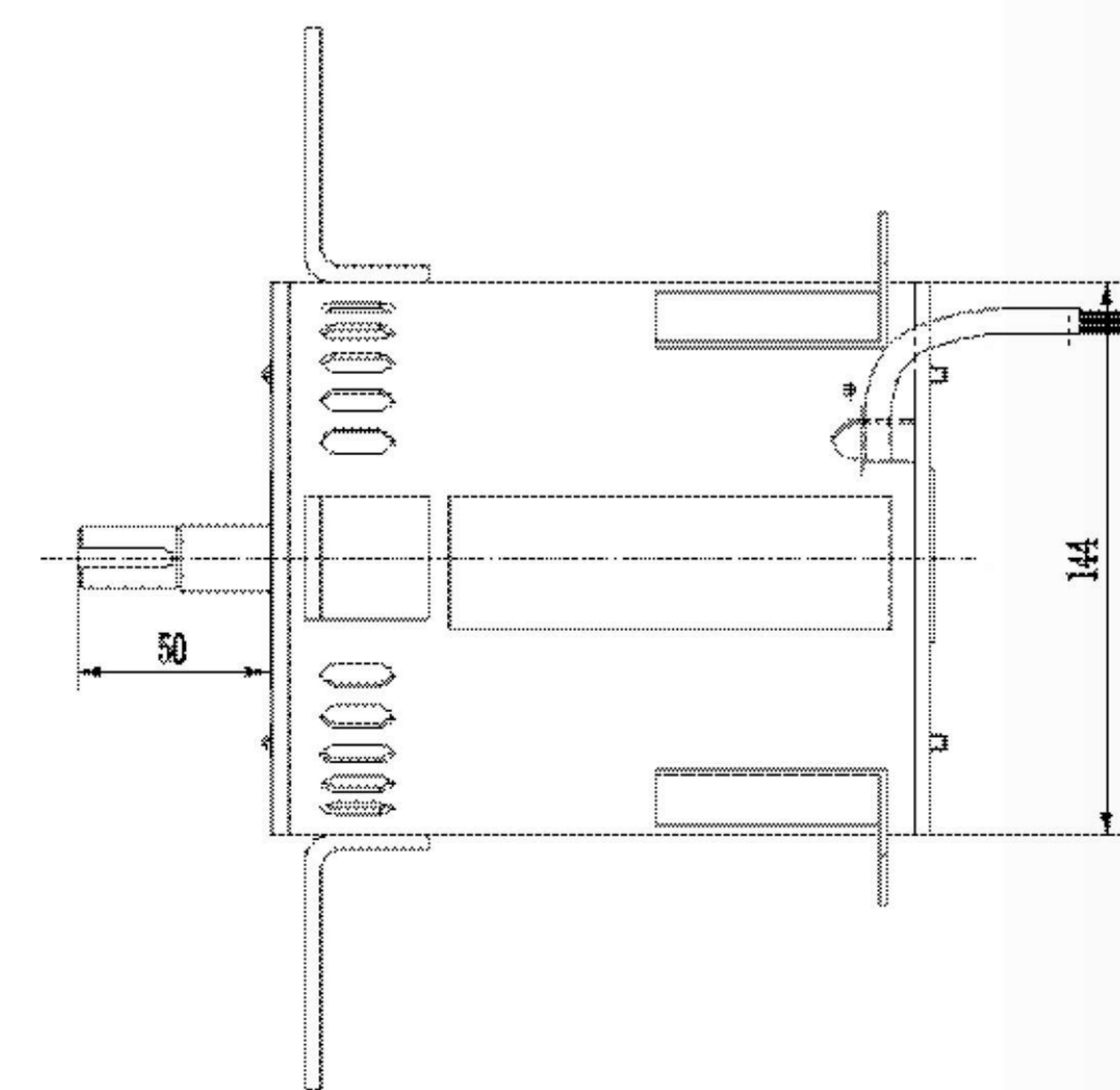


Specifications

Model	Voltage	Power	Frequency	Electric current	Extreme value	Rotational speed
140-50	110V	1HP	60HZ	4.5A	6	1300

## 140-60/70 Blower Motor

Dimension: Unit=mm

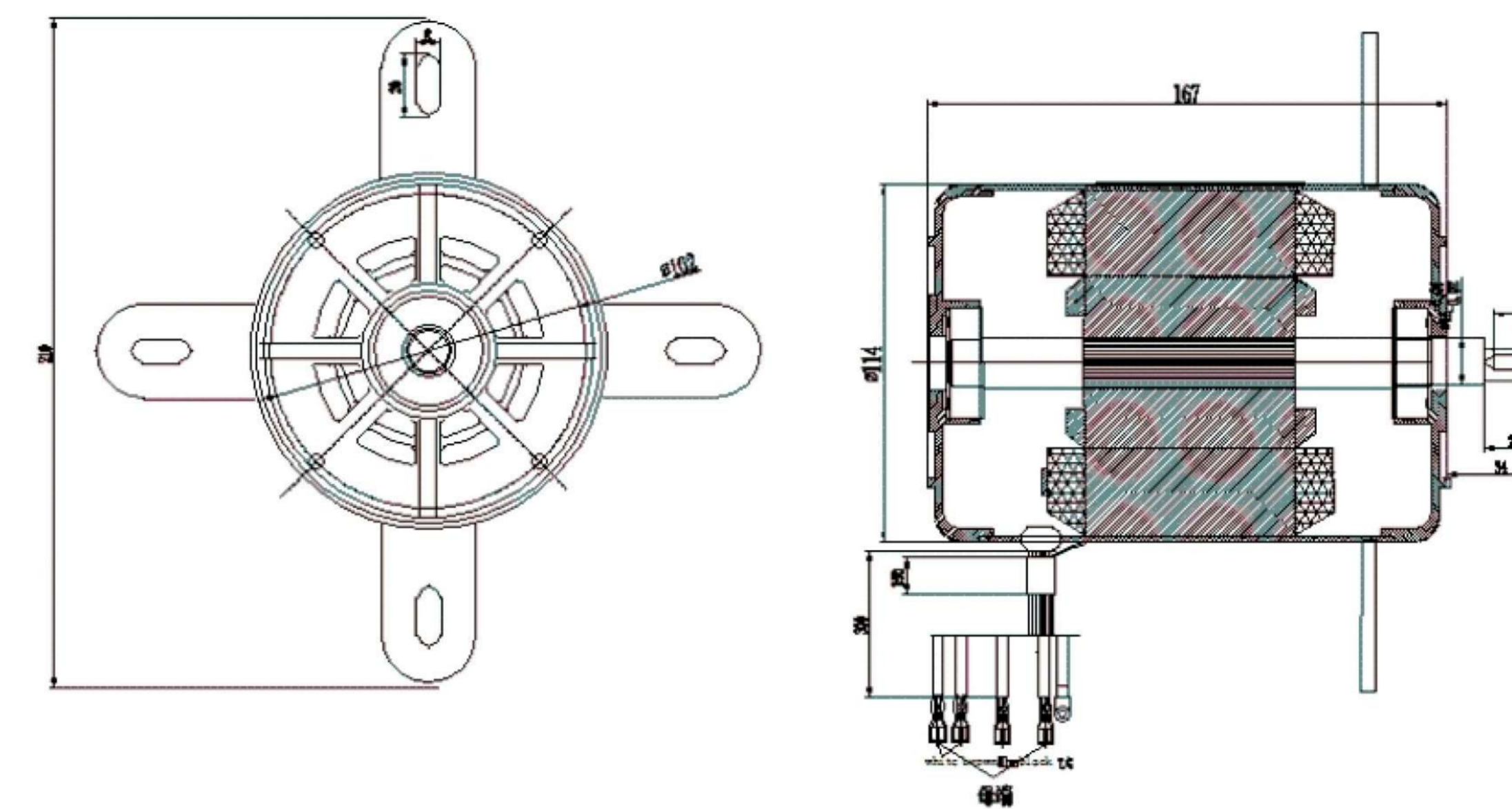


Specifications

Model	Voltage	Power	Frequency	Electric current	Extreme value	Rotational speed
140-60	220V	1HP	50HZ	6A	2	2750
140-70	220V	1.25HP	50HZ	7.5A	2	2750

## 110-45 Blower Motor

Dimension: Unit=mm

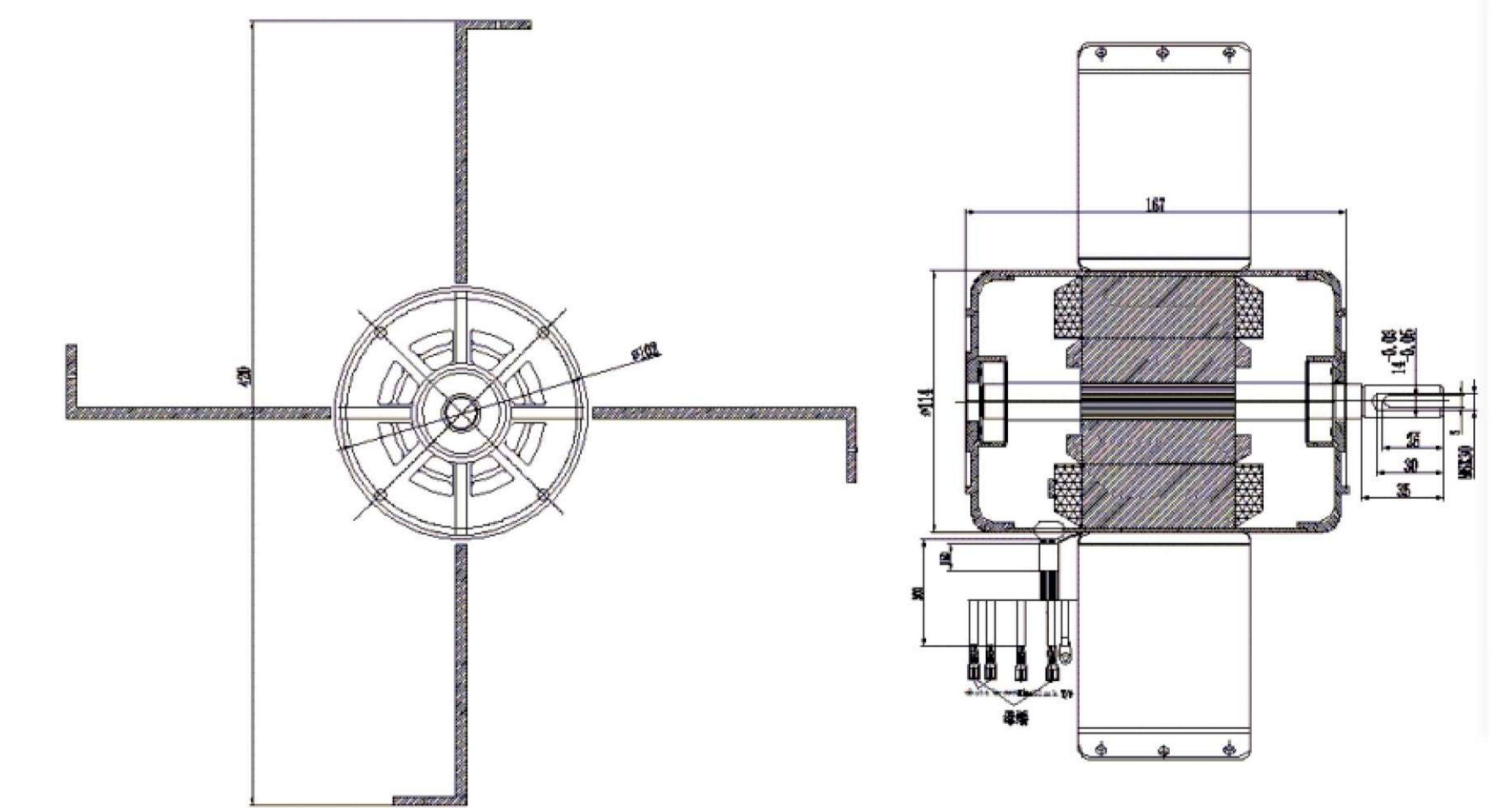


Specifications

Model	Voltage	Power	Frequency	Electric current	Extreme value	Rotational speed
110-45	110V	0.5HP	60HZ	5A	2	3300
110-45	220V	0.5HP	50HZ	3.5A	2	2750

## 110-65 Blower Motor

Dimension: Unit=mm

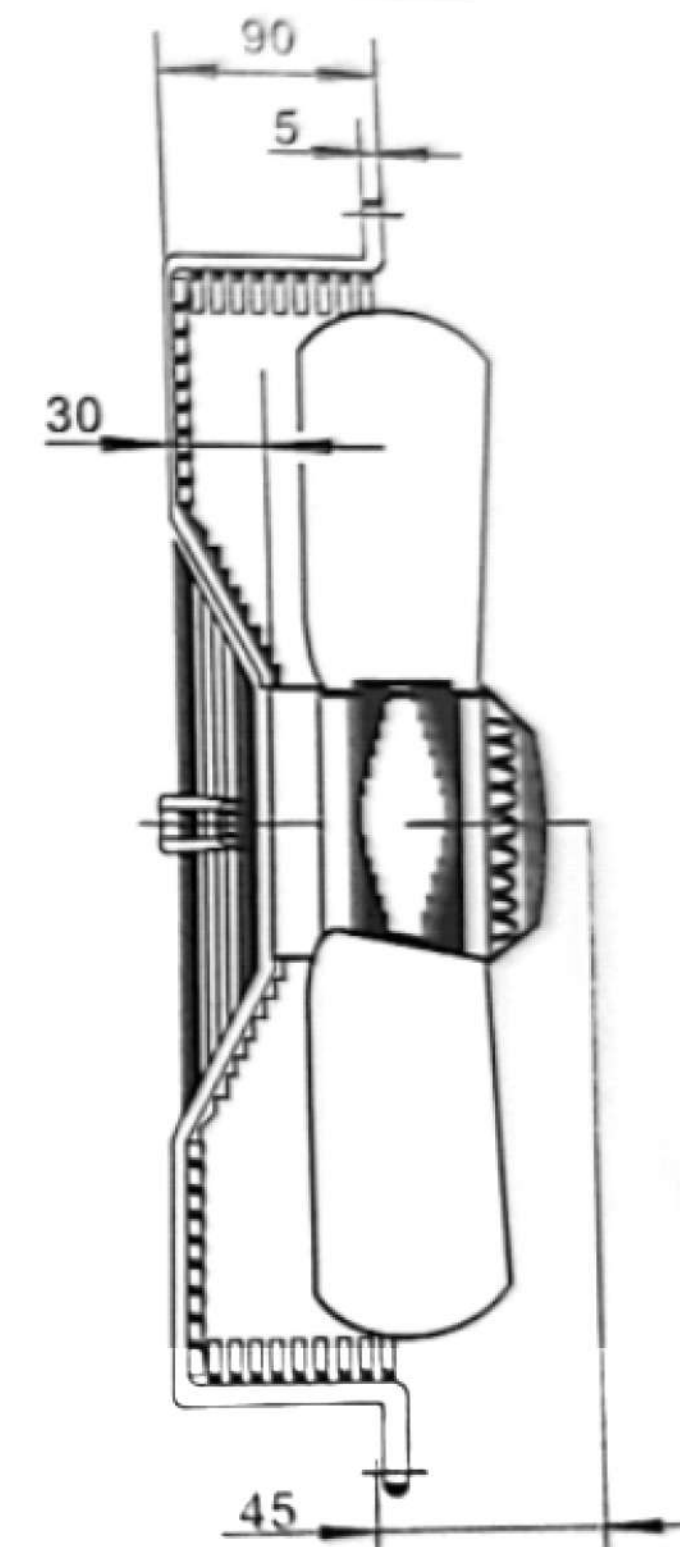
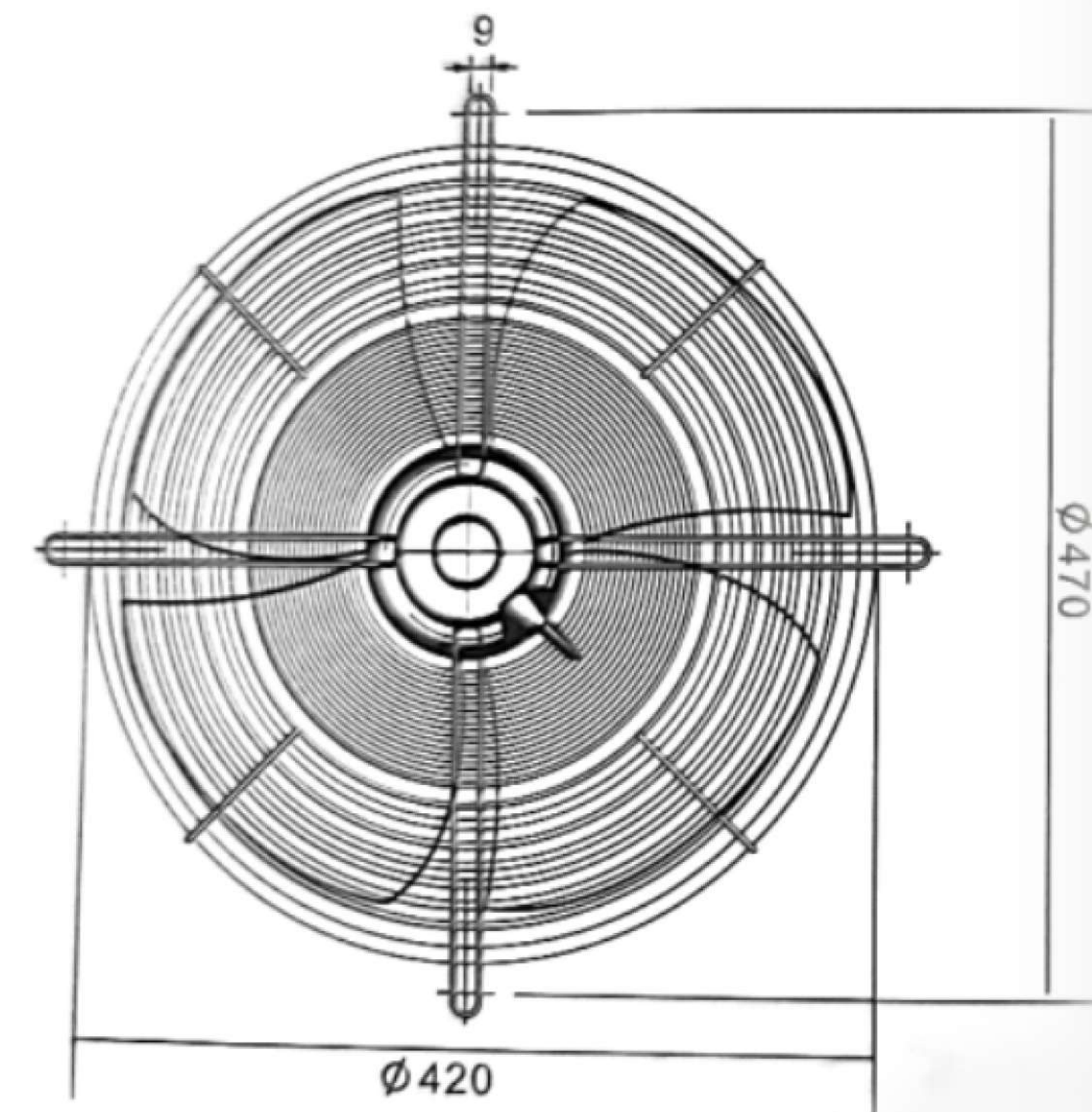


Specifications

Model	Voltage	Power	Frequency	Electric current	Extreme value	Rotational speed
110-65	110V	0.75HP	60HZ	7A	2	3300
110-65	220V	0.75HP	50HZ	4.5A	2	2750

## Freezing Dryer Motor

Dimension: Unit=mm

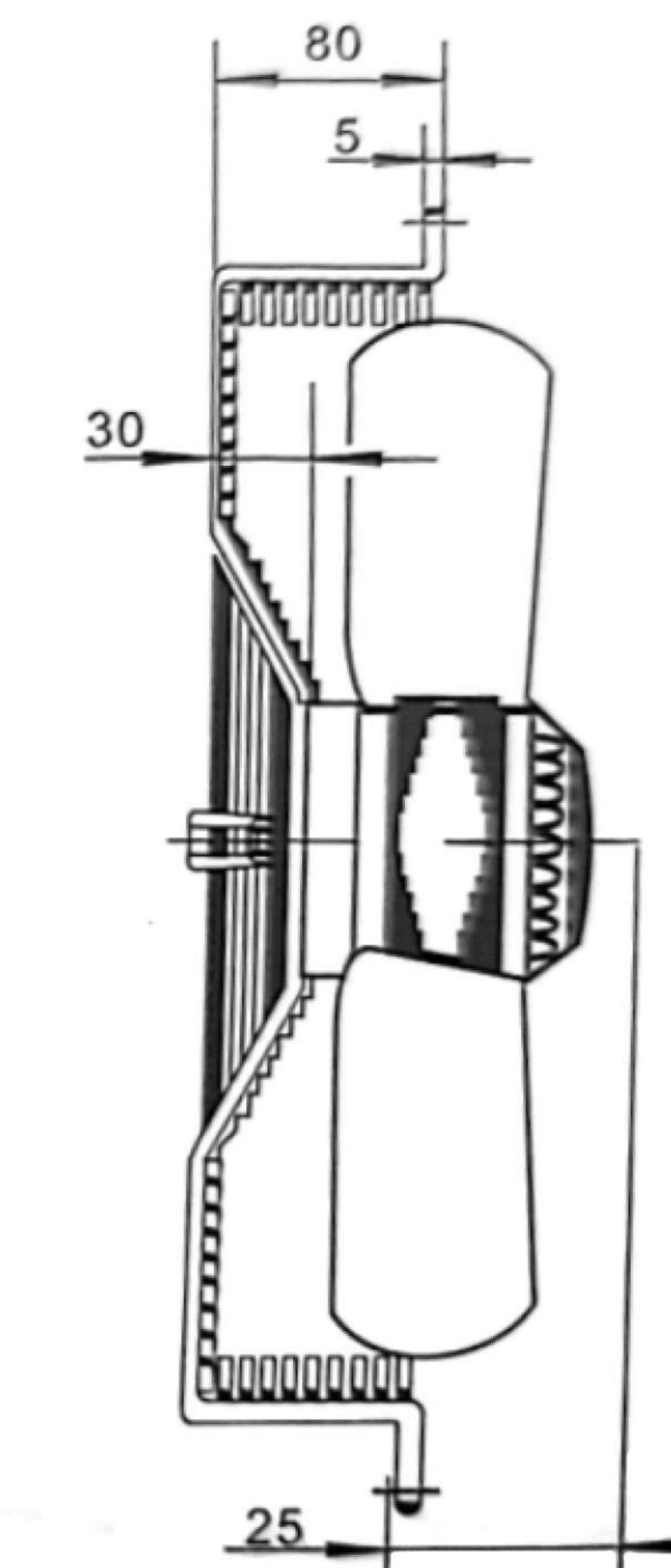
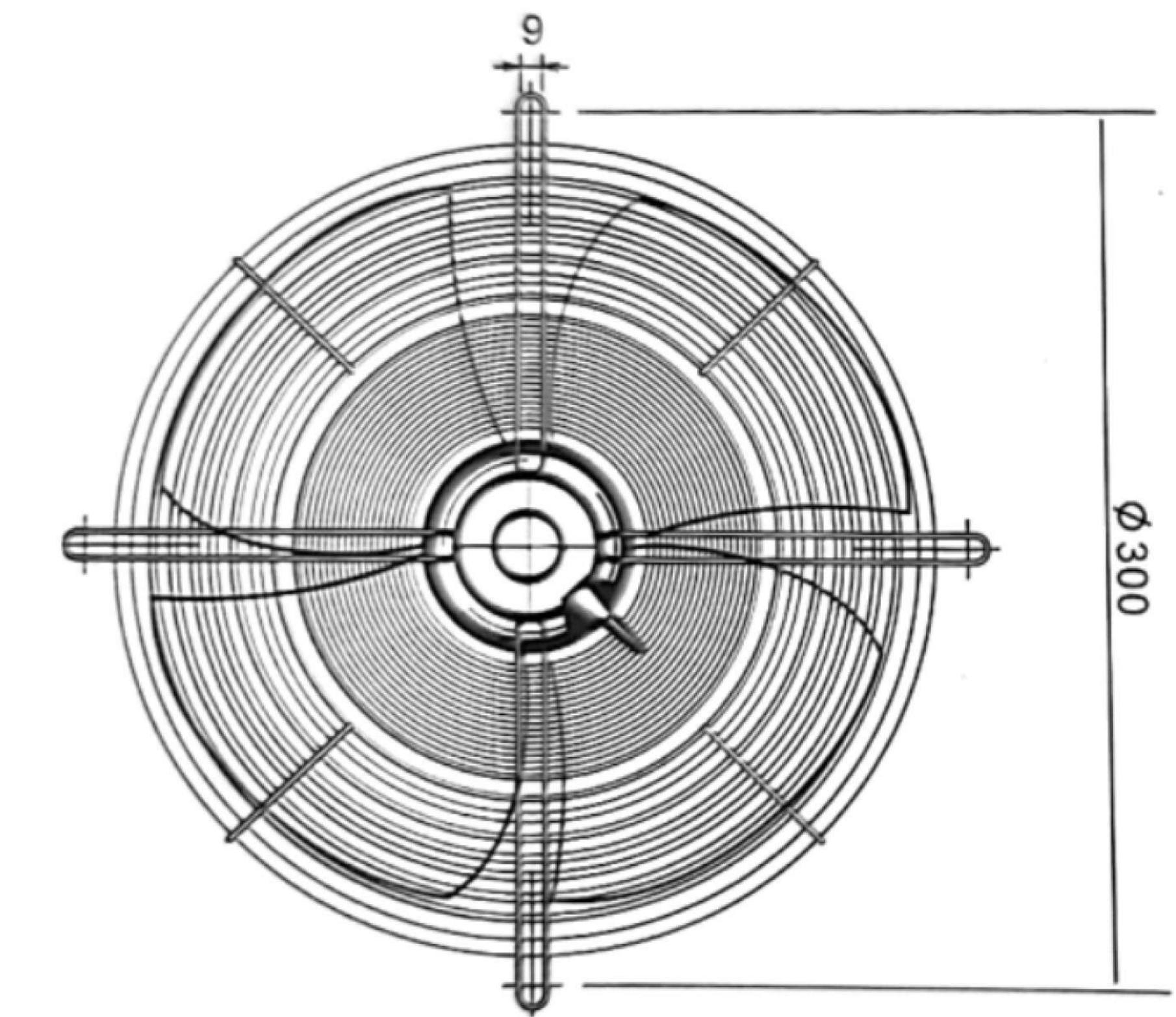


### Specifications

Model	Voltage	Power	Frequency	Electric current	Extreme value	Rotational speed
80W	220V	80W	50HZ	0.3A	4	1300
80W	380V	80W	50HZ	0.21A	4	1300
90W	220V	90W	50HZ	0.4A	4	1300
90W	380V	90W	50HZ	0.25A	4	1300
120W	220V	120W	50HZ	0.55A	4	1300
120W	380V	120W	50HZ	0.3A	4	1300
180W	220V	180W	50HZ	0.5A	4	1300
180W	380V	180W	50HZ	0.9A	4	1300
250W	220V	250W	50HZ	1.15A	4	1300
250W	380V	250W	50HZ	0.6A	4	1300

## New Freezing Dryer Motor

Dimension: Unit=mm



### Specifications

Model	Voltage	Power	Frequency	Electric current	Extreme value	Rotational speed
80W	220V	80W	50HZ	0.3A	4	1300
80W	380V	80W	50HZ	0.21A	4	1300
90W	220V	90W	50HZ	0.4A	4	1300
90W	380V	90W	50HZ	0.25A	4	1300